

Your Solution Partner in
Industrial

Valve
Automation...

Pneumatic Operated

CONTROL VALVE

aira[®]
VALVE AUTOMATION



Mfg. & Mkt by :

aira Euroautomation pvt. ltd.
INDIA

www.airaindia.com / www.airaeuro.com





About Us



Aira Euro Automation Pvt. Ltd. headquartered in Ahmedabad, Gujarat, India accredited with ISO 9001, from BVQI – LONDON is one of the leading manufacturer and exporter of automation and manual valves in the small sector in India having over 25-years of experience maintains one of the largest and most diversified markets of valves globally. We export our product in more than 20+ countries and have received excellent feedbacks.

We manufacture pneumatic actuator operated valves, automation valves. Pneumatic actuator operated valves can easily tolerate heavy loads, and are easily available and inexpensive too. Our products meet a wide range of users from different fields in fossil & cogeneration power, nuclear, refining, petrochemicals, pulp & paper, LNG & cryogenics, pharma industry.

We are continuously enhancing the ability of our staff and workers to become "customers preferred company." The motto of our organization is to become a "One - stop shop" for our clients and customers. For this, we have fully dedicated staff in each field.

Our management and employees are more passionate about manufacturing quality products and are always striving to improve and to meet the expectations and desires of our clients and customers in the guidance of dedicated and experienced management.

For further clarification of our products & services, Please feel free to contact us.



ISO Certification



Atex Certificate for Micro Limit Switch



Atex Certificate for Solenoid Coil



API Certificate for Ball Valve



API Certificate for Butterfly Valve

Approval



Approval

TDS, SGS, MECON, LLOYDS, PDIL, RITES, ONGC, BVIS, UHDE, BHEL, NPCIL, BARC, SAIL, Indian Navy & many more. We have always kept our Design & Development Department on their toes, Even when a product has been positively accepted in the market, We have made changes for the better instead of resting on our laurels. Also we have full fledged in house flow testing facility.

Organisation Belief

"Customer Is The Top Priority"
Continuous job training to it's employees and human resource development strengths have given a loyal, trained workforce with great motivation. We have a network of service and sales operations by qualified engineers and marketing personnel, by which the nationwide requirements are being fulfilled.

Reputation

Client's satisfaction with quality, fast action, rates, pre and post sales services.

Aim

To provide the most economic and quality product under the latest international manufacturing standards.



CE Actuator



CE Ball Valve



CE Ball Valve



CE Micro Limit Switch



CE Solenoid Coil & Positioner



IBR Certificate

Approval



CCEO Solenoid Coil



CCEO Solenoid Coil



CCEO Solenoid Coil



CCEO Solenoid Coil



CCEO IS Solenoid Coil



Flameproof Coil



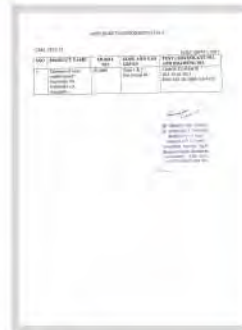
Flameproof Coil



Flameproof Coil



IS - 3000 Coil



Jacketed Ball Valve
Pattern Registered



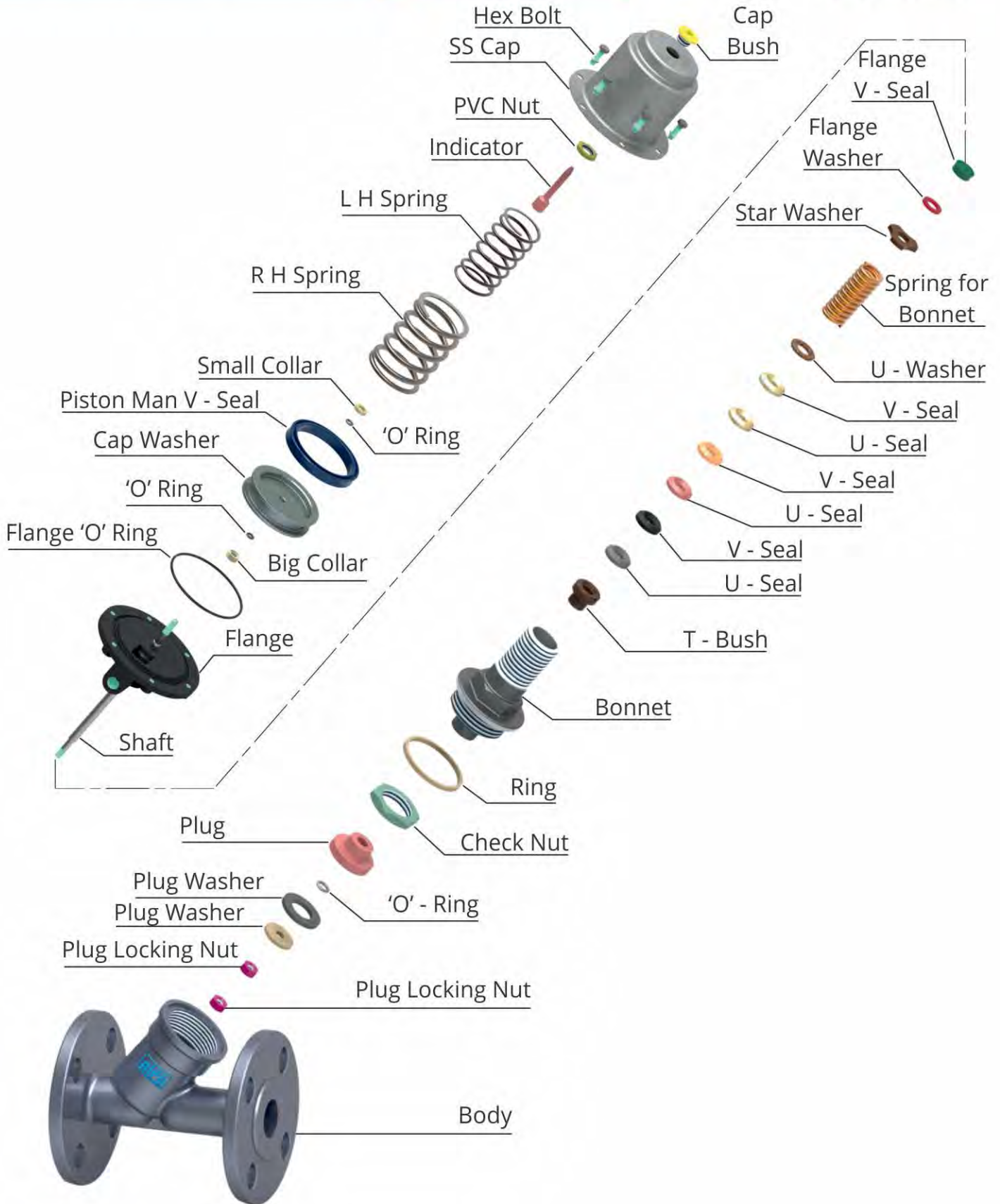
DGMS Certificate

Company Profile



Sr. No.	Item Name	Page No.
1	SRT Model Angle Type Control Valve Exploded View	1
2	ASV Model Angle Type Control Valve Exploded View	2
3	Cylinder Operated Angle Type Control Valve	3
4	Actuator Operated Angle Type Control Valve	4
5	Cylinder Operated Angle Type Control Valve Bolted Design	5
6	Actuator Operated Angle Type Control Valve Bolted Design	6
7	Cylinder Operated Angle Type Control Valve TC End	7
8	Actuator Operated Angle Type Control Valve TC End	8
9	Cylinder Operated Globe Type Control Valve	9
10	Actuator Operated Globe Type Control Valve	10
11	Cylinder Operated Medium Pressure Control Valve	11
12	Actuator Operated Medium Pressure Control Valve	12
13	Cylinder Operated High Pressure Control Valve	13
14	Actuator Operated High Pressure Control Valve	14
15	Cylinder Operated Drain Valve	15
16	Actuator Operated Drain Valve	16
17	Cylinder Operated Diaphragm Valve	17
18	Actuator Operated Diaphragm Valve	18
19	Stainless Steel Cylinder Operated Diaphragm Valve	19
20	Rubber Lined Diaphragm Valve	20
21	"PLC" 2/2 & 3/2 Way Cylinder Operated Control Valve	21
22	"PHC" 2/2 & 3/2 Way Cylinder Operated Control Valve	22
23	"PKL" 2/2 & 3/2 Way Diaphragm Operated Control Valve	23
24	"PKH" 2/2 & 3/2 Way Diaphragm Operated Control Valve	24
25	"CKD" 2/2 & 3/2 Way Diaphragm Operated Control Valve	25
26	"CND" 2/2 & 3/2 Way Diaphragm Operated Control Valve	26
27	"CKD & CND" Model Flange Dimensions Table	27
28	"LDB" 2/2 & 3/2 Way Diaphragm Operated Control Valve	28
29	Pneumatic Diaphragm Actuator	29
30	"SM" Model Pneumatic Diaphragm Actuator	30
31	Cylinder operated Knife Gate Valve	31
32	"Y" Type Strainer	32
33	"Y" Type Strainer Bolted Design	33
34	Pneumatic Accessories	34

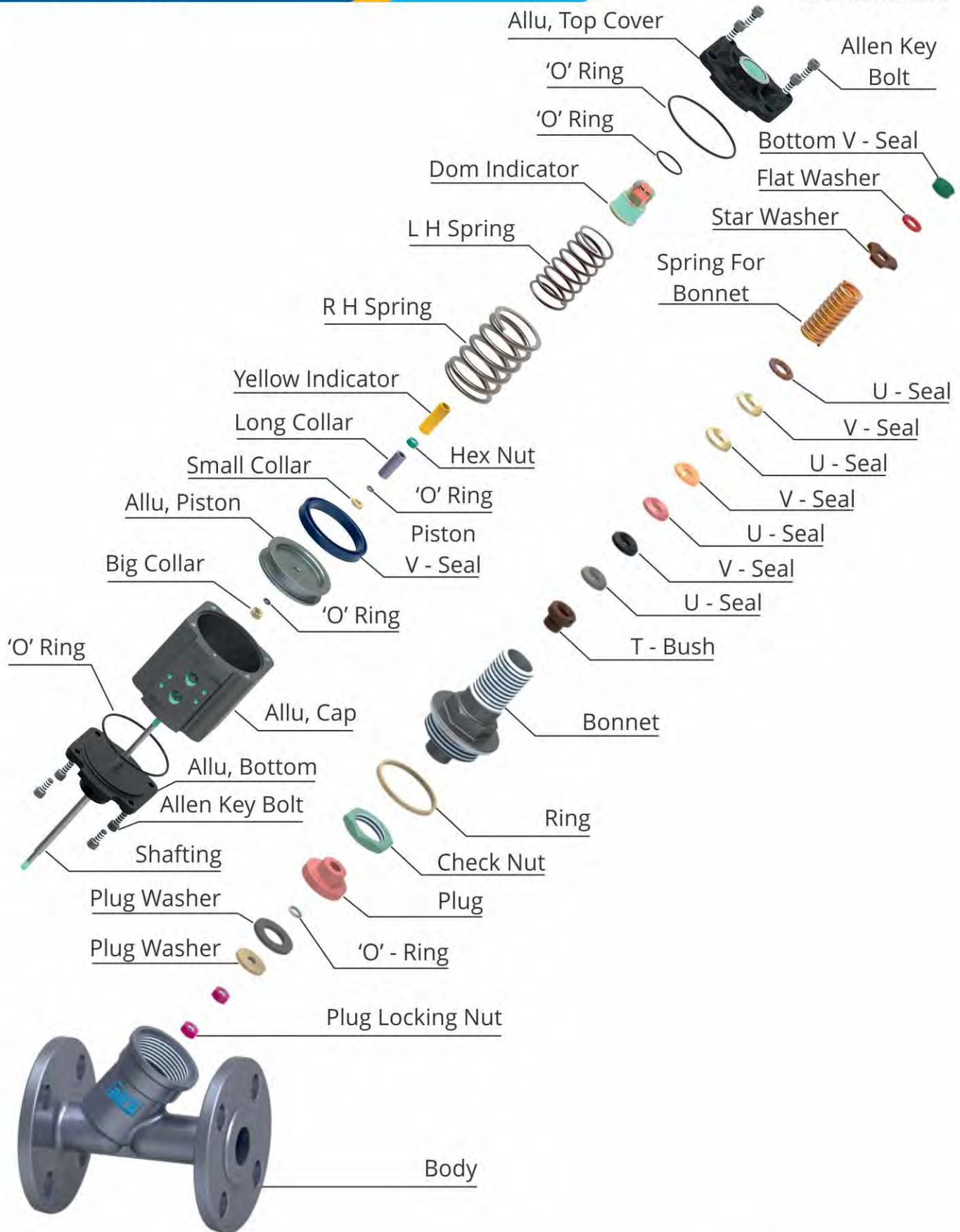
2/2 Way Angle Type On/Off Control Valve



Pub. on : May, 2019 (Rev-01)

Note : Since, constant worldwide advancement in technology, We keep our rights reserved to make changes time to time in Technical specifications and Dimensions without prior notice.

2/2 Way Angle Type On/Off Single & Double Acting Control Valve



Pub. on : May, 2019 (Rev-01)

www.airaindia.com / www.airaeuro.com

2/2 Way Angle Type On/Off Control Valve



Model : SRT

Model : SRK & SRV

Accessories

- On / Off Type Limit Switch
- Combination (Filter + Regulator)
- Moisture Separator
- Quick Exhaust Valve
- 3/2 Way Direct Acting

"aira" Offers 2/2 Way Pneumatic Cylinder Operated Investment Casting Angle Type Controls Valve. It has two working types, Normally Open & Normally Closed.

Size Range : 1/2" to 3" Screwed / Flanged

Actuator Specification

Port Connection	1/4" BSP (NPT On Request)
Operating Pressure	4.5 to 7 BAR 1/2" to 2" / 5 to 7 BAR 2.1/2" to 4"
Operating Cycles	350 to 650 Cycles / Hr.
Media	Dry Lubricated Air / Inner Gases (Hydint Moisture Separator are advised to use in line)

SRT / SRK / SRV Model Types

Normally Close	Enegised to Open
Normally Open	Enegised to Close
Double Acting	

Valve Specification

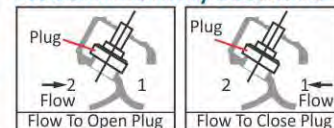
Body Test Press.	10 Bar Max. (12 Kg One Size Higher Actuator & 16 Kg Two Size Higher Actuator)
Working Pressure	Upto 10 Bar
Working Temperature	PTFE 180 °C / CFT 220 °C
Leakage	As per ANSI B16, 16.104 Leakage Class VI Shut Off Tight / Bubble Tight
Media	Air / Water / Oil / Gas / Steam & Chemical

Technical Specification Table

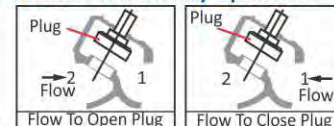
Valve Size	Orifice	Max. Oper. Press. Flow to Close Bar	Max. Oper. Press. Flow to Open Bar	Flow Factor Kv M3/hr	Actuator Bore MM	Air Consumption Lit./ Cycle
MM	Inch	mm				
15	1/2"	16	16	4.2	50	0.155
20	3/4"	16	16	5.5	50	0.155
25	1"	23	16	13.5	70	0.161
32	1.1/4"	31	15	31.9	70	0.172
40	1.1/2"	34	15	31.9	70	0.172
50	2"	45	14	54.5	85	0.184
65	2.1/2"	62	14	54.5	100	0.184
80	3"	75	10	105	120	0.735

For Any Different Technical Requirement - Available On Request

Position In Normally Close Valve



Position In Normally Open Valve

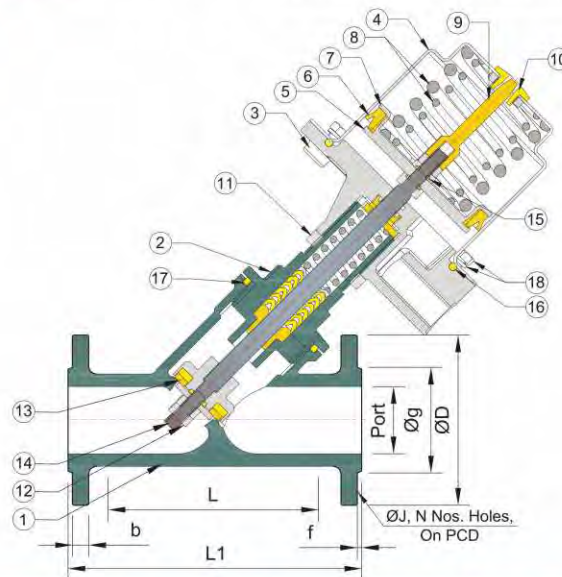


Sr. No.	Description	Material
1	Body	CF8 / CF8M / CF3M
2	Bonnet	CF8 / CF8M / CF3M
3	Flange	Alluminum Alloy / CF8 / CF8M
4	Cap	S. S. 304
5	Piston Flat Washer	M. S.
6	Piston V-Seal	High Nitrile
7	Piston Cap Washer	M. S.
8	Piston Spring (RH & LH)	Spring Steel
9	Piston Indicator	Nylon
10	Piston Indicator Guide & Nut	Nylon
11	Lock Nut for Flange	M. S.
12	Lock Nut (Plug)	S. S. 304
13	Plug Washer	PTFE / CFT
14	Plug + Shaft	S. S. 304
15	O - Ring (6X1.5)	High Nitrile
16	O - Ring for Flange	High Nitrile
17	Teflon for Body (Sealing Gasket)	PTFE
18	Piston Cap Hex Bolt & Spring Washer	S. S. 304

Dimensions :

Valve Model	Valve Size		L S/E	SRK Model Flange Dimensions								SRV Model Flange Dimensions								Weight Approx.				
	MM	Inch		L1	Port	ØD	b	Øg	f	ØJ	N	PCD	L1	Port	ØD	b	Øg	f	ØJ	N	PCD	SRT	SRK	SRV
SRT / SRK / SRV - 15	15	1/2"	65	107.9	12.5	90	8	34.9	2	15.9	4	60.3	130.6	12.5	88	8	34.9	1.6	15.9	4	60.3	1.020	1.680	1.640
SRT / SRK / SRV - 20	20	3/4"	75	117.3	17	100	8.9	42.9	2	15.9	4	69.9	151	19	98	7.5	42.9	1.6	15.9	4	69.9	1.180	1.940	1.980
SRT / SRK / SRV - 25	25	1"	90	127	24	110	9.6	50.8	2	15.9	4	79.4	161.5	25	107.9	8.65	50.8	1.6	15.9	4	79.4	1.980	3.100	2.760
SRT / SRK / SRV - 32	32	1.1/4"	102	139.7	30	115	11.2	63.5	2	15.9	4	88.9	---	---	---	---	---	---	---	---	---	2.480	3.880	---
SRT / SRK / SRV - 40	40	1.1/2"	125	165.7	37	125	12.7	73	2	15.9	4	98.4	190	38	127	8.65	73	1.6	15.9	4	98.4	2.840	4.880	3.800
SRT / SRK / SRV - 50	50	2"	151	178	49	150	14.3	92.1	2	19.05	4	120.7	230	49	152.4	8.65	92.1	1.6	15.9	4	120.7	3.760	7.040	5.320
SRK - 65	65	2.1/2"	---	190.5	64	180	15.9	104.8	2	19.05	4	139.7	---	---	---	---	---	---	---	---	---	---	12.260	---
SRK - 80	80	3"	---	203.2	75	190	17.5	127	2	19.05	4	152.4	---	---	---	---	---	---	---	---	---	---	16.520	---

(All Dimensions are in mm)



Pub. on : May, 2019 (Rev-01)

2/2 Way Angle Type On/Off Single & Double Acting Control Valve



"aira" Offers 2/2 Way Pneumatic Actuator Operated Investment Casting Angle Type Controls Valve. It has two working types, Double Acting & Single Acting

Size Range : 1/2" to 3" Screwed / Flanged

Actuator Specification	
Port Connection	1/4" BSP (NPT On Request)
Operating Pressure	4.5 to 7 BAR 1/2" to 2" / 5 to 7 BAR 2.1/2" to 4"
Operating Cycles	350 to 650 Cycles / Hr.
Media	Dry Lubricated Air / Inner Gases (Hydint Moisture Separator are advised to use in line)

Actuator Type
Double Acting
Single Acting
Normally Open



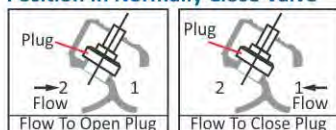
Model : ASV

Valve Specification	
Body Test Press.	10 Bar Max. (12 Kg One Size Higher Actuator & 16 Kg Two Size Higher Actuator)
Working Pressure	Upto 10 Bar
Working Temperature	PTFE 180 °C / CFT 220 °C
Leakage	As per ANSI B16, 16.104 Leakage Class VI Shut Off Tight / Bubble Tight
Media	Air / Water / Oil / Gas / Steam & Chemical

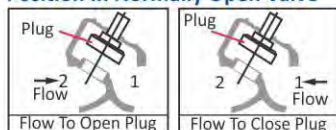


Model : TOF & DSV

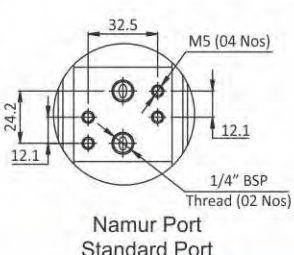
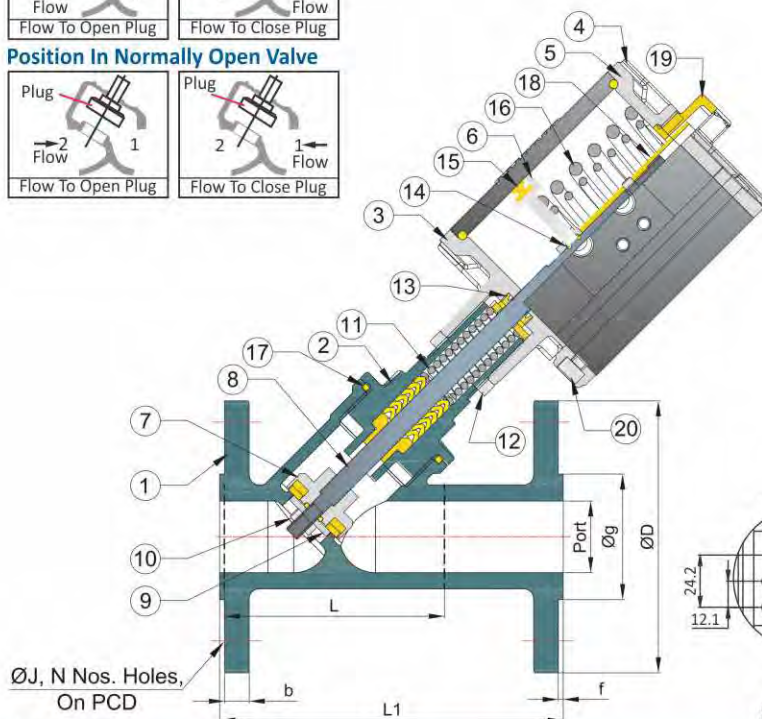
Position In Normally Close Valve



Position In Normally Open Valve



Sr. No.	Description	Material
1	Body	CF8 / CF8M / CF3M
2	Bonnet	CF8 / CF8M / CF3M
3	Flange Bottom Cover	Aluminium
4	Flange Top Cover	Aluminium
5	Act. Cap	Aluminium
6	Piston	Aluminium
7	Plug	S. S. 304
8	Plug + Piston Shaft	S. S. 304
9	Plug Washer (S.S.)	S. S. 304
10	Lock Nut For Plug	S. S. 304
11	Spring For Bonnet	S. S.
12	Lock Nut For Flange	S. S.
13	V - Seal For Flange	High Nitrile
14	O - Ring For Flange Top & Bottom	High Nitrile
15	V - Seal For Piston	High Nitrile
16	Spring For Piston	Spring Steel
17	Teflon For Body	PTFE
18	Indicator For Piston	Nylon / Aluminium
19	Dom Indicator	Nylon
20	Socket Head Cap Screw	Std.



Accessories

- 3/2 & 5/2 Way Namur Solenoid Valve
- Pilot Valve
- On / Off Type Limit Switch
- Combination (Filter + Regulator)
- Moisture Separator
- Quick Exhaust Valve
- Micro Limit Switch Box

Dimensions :

Valve Model	Valve Size		L S/E	TOF Model Flange Dimensions								DSV Model Flange Dimensions								Weight (Approx.)				
	Inch	MM		L1	Port	ØD	b	Øg	f	ØJ	N	PCD	L1	Port	ØD	b	Øg	f	ØJ	N	PCD	ASV	TOF	DSV
ASV / TOF / DSV - 15	1/2"	15	65	107.9	12.5	90	8	34.9	2	15.9	4	60.3	130.6	12.5	88	8	34.9	1.6	15.9	4	60.3	1.480	1.980	1.930
ASV / TOF / DSV - 20	3/4"	20	75	117.3	17	100	8.9	42.9	2	15.9	4	69.9	151	19	98	7.5	42.9	1.6	15.9	4	69.9	1.620	2.320	2.200
ASV / TOF / DSV - 25	1"	25	90	127	24	110	9.6	50.8	2	15.9	4	79.4	161.5	25	107.9	8.65	50.8	1.6	15.9	4	79.4	2.550	3.760	2.820
ASV / TOF / DSV - 32	1.1/4"	32	102	139.7	30	115	11.2	63.5	2	15.9	4	88.9	---	---	---	---	---	---	---	---	---	3.050	4.420	---
ASV / TOF / DSV - 40	1.1/2"	40	125	165.1	37	125	12.7	73	2	15.9	4	98.4	190	38	127	8.65	73	1.6	15.9	4	98.4	3.720	5.700	4.780
ASV / TOF / DSV - 50	2"	50	151	178	49	150	14.3	92.1	2	19.05	4	120.7	230	49	152.4	8.65	92.1	1.6	15.9	4	120.7	4.340	7.780	5.720
TOF - 65	2.1/2"	65	---	190.5	64	180	15.9	104.8	2	19.05	4	139.7	---	---	---	---	---	---	---	---	---	---	14.240	---
TOF - 80	3"	80	---	203.2	75	190	17.5	127	2	19.05	4	152.4	---	---	---	---	---	---	---	---	---	---	18.560	---

(All Dimensions are in mm)

Pub. on : May, 2019 (Rev-01)

2/2 Way Angle Type On/Off Control Valve Bolted Design

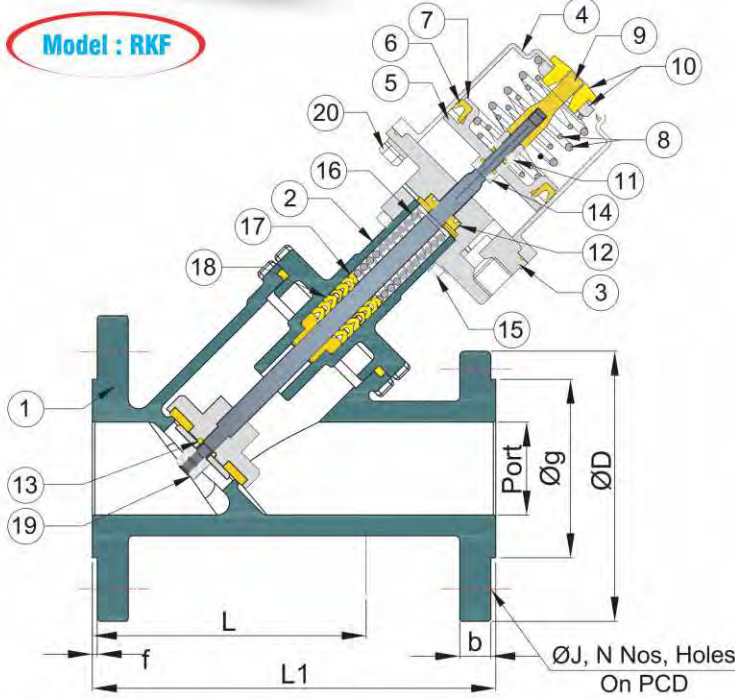


"aira" Offers 2/2 Way Pneumatic Cylinder Operated Investment Casting Angle Type Controls Valve. It has two working types, Normally Open & Normally Closed.

Size Range : 1/2" to 4" Screwed / Flanged

Actuator Specification		RKS / RKF Model Types	
Port Connection	1/4" BSP (NPT On Request)	Normally Close	Energised To Open
Operating Pressure	4.5 to 7 BAR 1/2" to 2" / 5 to 7 BAR 2.1/2" to 4"	Normally Open	Energised To Close
Operating Cycles	350 to 650 Cycles / Hr.		
Media	Dry Lubricated Air / Inner Gases (Hydint Moisture Separator are advised to use in line)		

Valve Specification	
Body Test Press.	10 Bar Maximum (12 Kg One Size Higher Actuator 16 Kg Two Size Higher Actuator)
Working Pressure	Upto 10 Bar
Working Temperature	PTFE 180 °C / CFT 220 °C
Leakage	As per ANSI B16, 16.104 Leakage Class VI Shut Off Tight / Bubble Tight
Media	Air / Water / Oil / Gas / Steam & Chemical

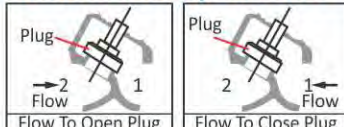


Accessories

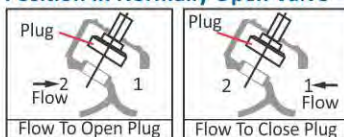
- On / Off Type Limit Switch
- Combination (Filter + Regulator)
- Moisture Separator
- Quick Exhaust Valve
- 3/2 Way Direct Acting

Sr. No.	Description	Material
1	Body	CF8 / CF8M / CF3M
2	Bonnet	CF8 / CF8M / CF3M
3	Flange	Aluminum Alloy / CF8 / CF8M / CF3M
4	Cap	S. S. 304
5	Piston Flat Washer	M. S.
6	Piston V - Seal	High Nitrile
7	Piston	M. S.
8	Cap Washer	Spring Steel
9	Piston Spring (RH & LH)	Nylon
10	Piston Indicator	Nylon
11	Piston Indicator Guide & Nut	S. S.
12	Piston Collar (Small)	S. S.
13	V - Seal for Flange	High Nitrile
14	Piston Collar (Big)	S. S.
15	Lock Nut for Flange	M. S.
16	Spring for Bonnet	S. S. 304
17	U - Washer	S. S. 304
18	Bonnet V - Seal	PTFE
19	Lock Nut (Plug)	S. S.

Position In Normally Close Valve



Position In Normally Open Valve



Dimensions :

Valve Model	Valve Size		L	L1	Port	ØD	b	Øg	f	ØJ	N	PCD	Weight Approx.	
	MM	Inch											RKS	RKF
RKS / RKF - 15	15	1/2"	64	108	16	90	8	34.9	2	15.9	4	60.3	1.350	1.800
RKS / RKF - 20	20	3/4"	75	117.2	21	100	9	42.9	2	15.9	4	69.9	1.380	2.420
RKS / RKF - 25	25	1"	90	127	27	110	10.1	50.8	2	15.9	4	79.4	2.240	3.300
RKS / RKF - 32	32	1.1/4"	102	141.4	38	115	13.4	63.5	2	15.9	4	89	On Req.	On Req.
RKS / RKF - 40	40	1.1/2"	125	165	38	125	12.7	73	2	15.9	4	98.4	3.200	5.400
RKS / RKF - 50	50	2"	151.5	190	49	150	14.3	92.1	2	19.05	4	120.7	4.620	7.320
RKS / RKF - 65	65	2.1/2"	195.5	235	63	180	15.9	104.8	2	19.05	4	139.7	7.260	12.880
RKS / RKF - 80	80	3"	195	248	74	190	18.5	127	2	19.05	4	152.4	11.220	17.620
RKS / RKF - 100	100	4"	314	292	102	228.6	21.88	157.23	2	19.05	8	190.5	14.580	23.960

(All Dimensions are in mm)

Pub. on : May, 2019 (Rev-01)

Note : Since, constant worldwide advancement in technology, We keep our rights reserved to make changes time to time in Technical specifications and Dimensions without prior notice.

2/2 Way Angle Type On/Off Single & Double Acting Control Valve Bolted Design



"aira" Offers 2/2 Way Pneumatic Actuator Operated Investment Casting Angle Type Controls Valve. It has two working types, Double Acting & Single Acting

Size Range : 1/2" to 4" Screwed / Flanged

Actuator Specification

Port Connection	1/4" BSP (NPT On Request)
Operating Pressure	4.5 to 7 BAR 1/2" to 2" / 5 to 7 BAR 2.1/2" to 4"
Operating Cycles	350 to 650 Cycles / Hr.
Media	Dry Lubricated Air / Inner Gases (Hydint Moisture Separator are advised to use in line)

Actuator Type

Double Acting
Single Acting
Normally Open

Valve Specification

Body Test Press.	10 Bar Max. (12 Kg One Size Higher Actuator & 16 Kg Two Size Higher Actuator)
Working Pressure	Upto 10 Bar
Working Temperature	PTFE 180 °C / CFT 220 °C
Leakage	As per ANSI B16, 16.104 Leakage Class VI Shut Off Tight / Bubble Tight
Media	Air / Water / Oil / Gas / Steam & Chemical

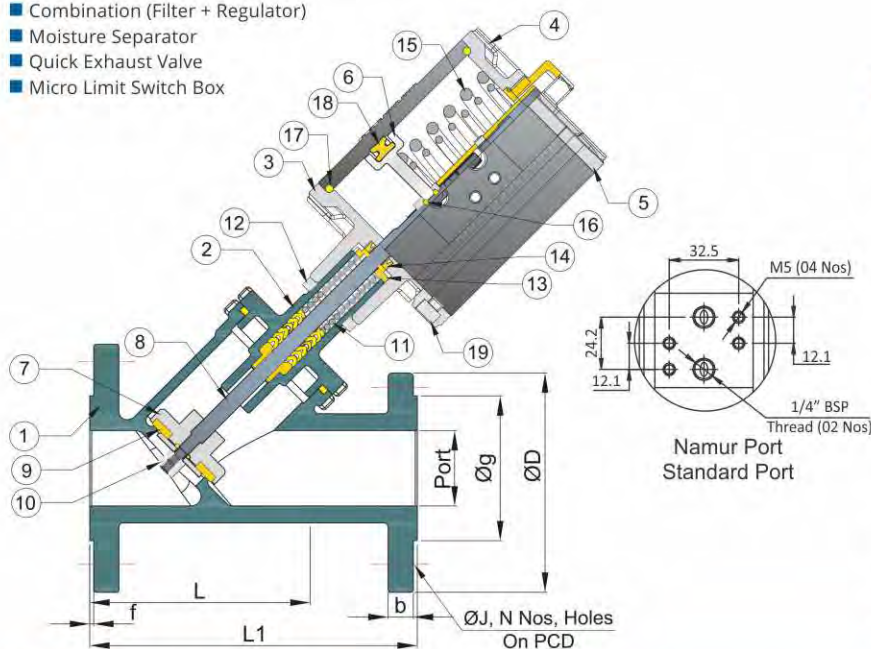


Model : RSK

Model : RFK

Accessories

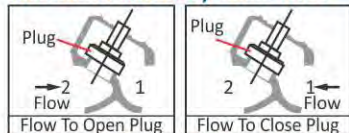
- 3/2 & 5/2 Way Namur Solenoid Valve
- Pilot Valve
- On / Off Type Limit Switch
- Combination (Filter + Regulator)
- Moisture Separator
- Quick Exhaust Valve
- Micro Limit Switch Box



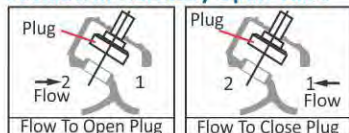
Sr. No.	Description	Material
1	Body	CF8 / CF8M / CF3M
2	Bonnet	CF8 / CF8M / CF3M
3	Flange Bottom Cover	Aluminum
4	Flange Top Cover	Aluminum
5	Actuator Cap	Aluminum Alloy
6	Piston	Aluminum
7	Plug	S. S.
8	Piston Shaft	S. S. 304
9	Plug Washer	PTFE
10	Lock Nut For Plug	S. S. 304
11	Spring For Bonnet	S. S. 304
12	Lock Nut For Flange	S. S.
13	Collar For Bonnet	S. S. 304
14	V - Seal For Flange	High Nitrile
*15	Piston Spring (R.H.)	Spring Steel
16	O - Ring for Piston Collar	High Nitrile
17	O - Ring for Flange Top & Bottom	High Nitrile
18	K - Type V Seal For Piston	High Nitrile
19	Socket Head Cap & Screw	S. S.

* These Item (Spring) Not Applicable In Double Acting Actuator.

Position In Normally Close Valve



Position In Normally Open Valve



Dimensions :

Valve Model	Valve Size		L	L1	Port	ØD	b	Øg	f	ØJ	N	PCD
	MM	Inch										
RSK / RFK - 15	15	1/2"	64	108	16	90	8	34.9	2	15.9	4	60.3
RSK / RFK - 20	20	3/4"	75	117.2	21	100	9	42.9	2	15.9	4	69.9
RSK / RFK - 25	25	1"	90	127	27	110	10.1	50.8	2	15.9	4	79.4
RSK / RFK - 32	32	1.1/4"	102	141.4	38	115	13.4	63.5	2	15.9	4	89
RSK / RFK - 40	40	1.1/2"	125	165	38	125	12.7	73	2	15.9	4	98.4
RSK / RFK - 50	50	2"	151.5	190	49	150	14.3	92.1	2	19.05	4	120.7
RSK / RFK - 65	65	2.1/2"	195.5	235	63	180	15.9	104.8	2	19.05	4	139.7
RSK / RFK - 80	80	3"	195	248	74	190	18.5	127	2	19.05	4	152.4
RSK / RFK - 100	100	4"	314	292	102	228.6	21.88	157.23	2	19.05	8	190.5

(All Dimensions are in mm)

Pub. on : May, 2019 (Rev-01)

2/2 Way Angle Type On/Off Control Valve TC Ends



Model : STS

Accessories

- On / Off Type Limit Switch
- Combination (Filter + Regulator)
- Moisture Separator
- Quick Exhaust Valve

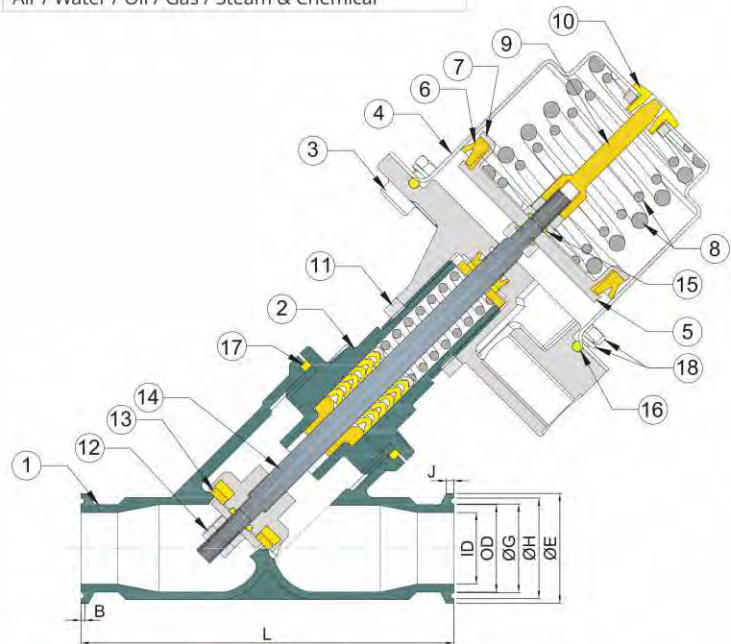
"aira" Offers 2/2 Way Pneumatic Cylinder Operated Investment Casting Angle Type Controls Valve. It has two working types, Normally Open & Normally Closed.

Size Range : 1/2" to 3" Triclover Ends

Actuator Specification		STS Model Types	
Port Connection	1/4" BSP (NPT On Request)	Normally Close	Energised To Open
Operating Pressure	4.5 to 7 BAR 1/2" to 2" / 5 to 7 BAR 2.1/2" to 4"	Normally Open	Energised To Close
Operating Cycles	350 to 650 Cycles / Hr.		
Media	Dry Lubricated Air / Inner Gases (Hydint Moisture Separator are advised to use in line)		

Valve Specification	
Body Test Press.	10 Bar Maximum (12 Kg One Size Higher Actuator & 16 Kg Two Size Higher Actuator)
Working Pressure	Upto 10 Bar
Working Temperature	PTFE 180 °C / CFT 220 °C
Leakage	As per ANSI B16, 16.104 Leakage Class VI Shut Off Tight / Bubble Tight
Media	Air / Water / Oil / Gas / Steam & Chemical

Sr. No.	Description	Material
1	Body	CF8 / CF8M / CF3M
2	Bonnet	CF8 / CF8M / CF3M
3	Flange	Aluminum Alloy
4	Cap	S. S. 304
5	Piston Flat Washer	M. S.
6	Piston V - Seal	High Nitrile
7	Piston Cap Washer	M. S.
8	Piston Spring (RH & LH)	Spring Steel
9	Piston Indicator	Nylon
10	Piston Indicator Guide & Nut	Nylon
11	Lock Nut for Flange	M. S.
12	Lock Nut	S. S. 304
13	Plug Washer	PTFE / GFT
14	Plug + Shaft	S. S. 304
15	'O' Ring (6X1.5)	High Nitrile
16	'O' Ring for Flange	High Nitrile
17	Teflon for Body (Sealing Gasket)	PTFE
18	Piston Cap Hex Bolt & Spring Washer	S. S. 304



Dimensions :

Valve Model	Size		L	ID	OD	ØE	ØG	ØH	J	B	Weight Approx.
	Inch	MM									
STS - 15	1/2"	15	94	12.5	18.5	34	25.5	29.5	2.8	1.6	1.060
STS - 15	1/2"	15	94	12.5	23	50.5	40.55	46.44	2.85	1.6	----
STS - 15	1/2"	15	105	12.5	23	50.5	40.55	46.44	2.85	1.6	----
STS - 20	3/4"	20	94	17	23	34	25.5	29.5	2.85	1.6	1.060
STS - 20	3/4"	20	94	17	23	50.5	40.55	46.44	2.85	1.6	----
STS - 20	3/4"	20	105	17	23	50.5	40.55	46.44	2.85	1.6	----
STS - 25	1"	25	110	24	31	50.5	42	46	2.8	1.5	1.780
STS - 40	1.1/2"	40	138	32	41	50.5	42	46	2.8	1.5	2.280
STS - 50	2"	50	157	42.5	52.5	64	55.5	59.5	2.8	1.5	2.880
STS - 65	2.1/2"	65	225	62	74	91	80.55	86.45	2.85	1.6	----
STS - 80	3"	80	225	74	84	106	94.05	99.94	2.85	1.6	----

(All Dimensions are in mm)

Pub. on : May, 2019 (Rev-01)

2/2 Way Angle Type On/Off Single & Double Acting Control Valve TC Ends



"aira" Offers 2/2 Way Pneumatic Actuator Operated Investment Casting Angle Type Controls Valve. It has two working types, Double Acting & Single Acting

Size Range : 1/2" to 3" Triclover Ends

Actuator Specification	
Port Connection	1/4" BSP (NPT On Request)
Operating Pressure	4.5 to 7 BAR 1/2" to 2" / 5 to 7 BAR 2.1/2" to 4"
Operating Cycles	350 to 650 Cycles / Hr.
Media	Dry Lubricated Air / Inner Gases (Hydint Moisture Separator are advised to use in line)

Actuator Type
Double Acting
Single Acting
Normally Open

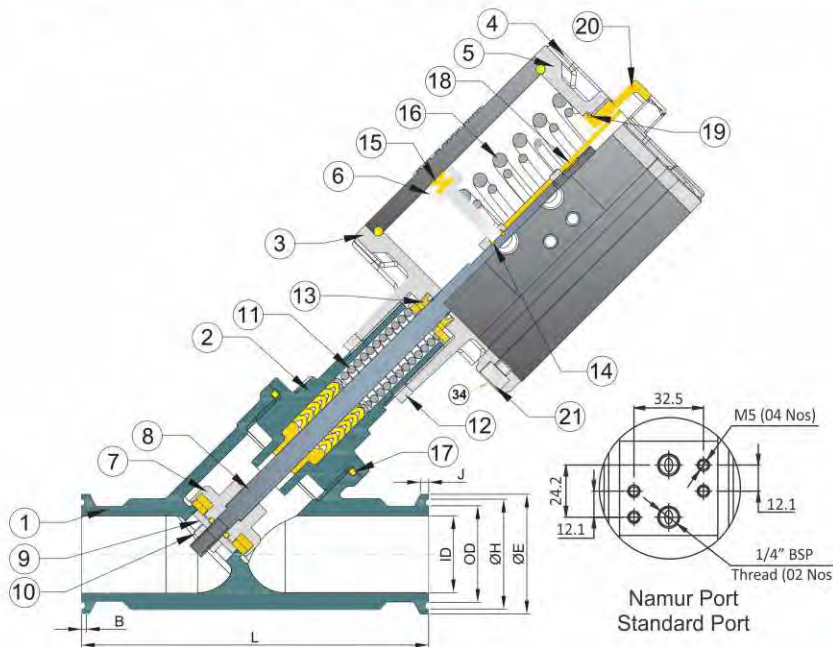
Valve Specification	
Body Test Press.	10 Bar Maximum (12 Kg One Size Higher Actuator 16 Kg Two Size Higher Actuator)
Working Pressure	Upto 10 Bar
Working Temperature	PTFE 180 °C / CFT 220 °C
Leakage	As per ANSI B16, 16.104 Leakage Class VI Shut Off Tight / Bubble Tight
Media	Air / Water / Oil / Gas / Steam & Chemical



Model : ATS

Accessories

- 3/2 & 5/2 Way Namur Solenoid Valve
- Pilot Valve
- On / Off Type Limit Switch
- Combination (Filter + Regulator)
- Moisture Separator
- Quick Exhaust Valve



Sr. No.	Description	Material
1	Body	CF8 / CF8M / CF3M
2	Bonnet	CF8 / CF8M / CF3M
3	Flange Bottom Cover	Aluminium
4	Flange Top Cover	Aluminium
5	Actuator Cap	Aluminium
6	Piston	Aluminium
7	Plug	S. S. 304
8	Plug + Piston Shaft	S. S. 304
9	Plug Washer	S. S. 304
10	Lock Nut For Plug	S. S. 304
11	Spring For Bonnet	S. S.
12	Lock Nut For Flange	S. S.
13	V - Seal For Flange	High Nitrile
14	O - Ring For Flange Top & Bottom	High Nitrile
15	V - Seal For Piston	High Nitrile
16	Spring For Piston	Spring Steel
17	Teflon For Body	PTFE
18	Indicator For Piston	Nylon / Aluminium
19	O - Ring For Indicator	High Nitrile
20	Dom Indicator	Nylon
21	Socket Head Cap Screw	S. S.

Dimensions :

Valve Model	Size		L	ID	OD	ØE	ØG	ØH	J	B	Weight Approx.
	Inch	MM									
ATS - 15	1/2"	15	94	12.5	18.5	34	25.5	29.5	2.8	1.6	1.060
ATS - 15	1/2"	15	94	12.5	23	50.5	40.55	46.44	2.85	1.6	----
ATS - 15	1/2"	15	105	12.5	23	50.5	40.55	46.44	2.85	1.6	----
ATS - 20	3/4"	20	94	17	23	34	25.5	29.5	2.85	1.6	1.060
ATS - 20	3/4"	20	94	17	23	50.5	40.55	46.44	2.85	1.6	----
ATS - 20	3/4"	20	105	17	23	50.5	40.55	46.44	2.85	1.6	----
ATS - 25	1"	25	110	24	31	50.5	42	46	2.8	1.5	1.960
ATS - 40	1.1/2"	40	138	32	41	50.5	42	46	2.8	1.5	3.320
ATS - 50	2"	50	157	42.5	52.5	64	55.5	59.5	2.8	1.5	3.740
ATS - 65	2.1/2"	65	225	62	74	91	80.55	86.45	2.85	1.6	----
ATS - 80	3"	80	225	74	84	106	94.05	99.94	2.85	1.6	----

(All Dimensions are in mm)

Pub. on : May, 2019 (Rev-01)

www.airaindia.com / www.airaeuro.com

2/2 Way Globe Type On / Off Control Valve



"aira" Offers 2/2-way Globe Control Valve, Pneumatically Operated, N/C & N/O universal actuators with modular universal accessory program up to control heads. They have a stainless steel body and are available with the choice of flange-, threaded- and weld-end port connections. Specifically engineered for reliable control in applications where accuracy is paramount, Fine chemical pressure and flow control High accuracy test bench equipment, Food, beverage and pharmaceutical CIPSIP and auxiliary processes with steam Pharmaceutical Sterilizers, Precision distillation apparatus, Sterile Packaging Machinery.

Size Range : 1/2" to 2" Screwed & 1/2" to 4" Flanged

Actuator Specification

Port Connection	1/4" BSP (NPT On Request)
Operating Pressure	4.5 to 7 BAR 1/2" to 2" / 5 to 7 BAR 2.1/2" to 4"
Operating Cycles	350 to 650 Cycles / Hr.
Media	Dry Lubricated Air / Inner Gases (Hydint Moisture Separator are advised to use in line)

GKS / GKF Model Types

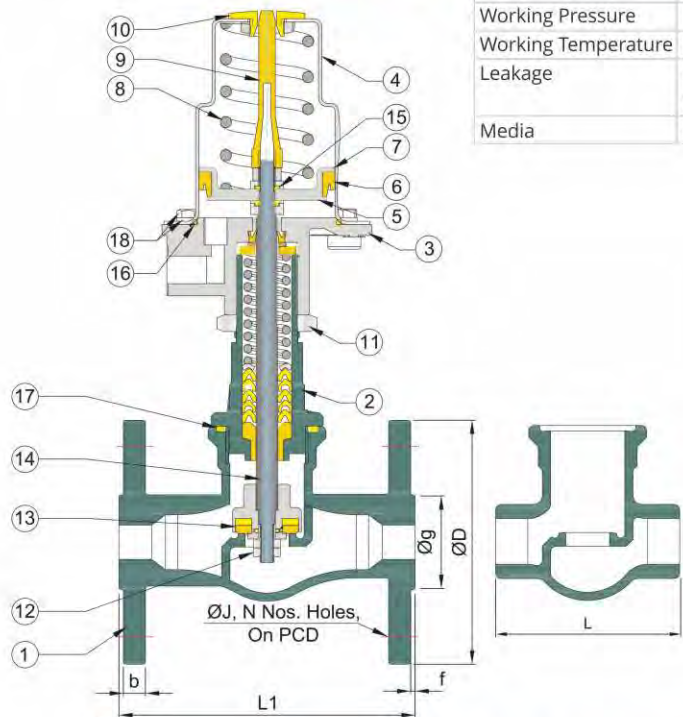
Normally Close	Enrgised To Open
Normally Open	Enrgised To Close
Double Acting	

Valve Specification

Body Test Press.	10 Bar Maximum (12 Kg One Size Higher Actuator 16 Kg Two Size Higher Actuator)
Working Pressure	Upto 10 Bar
Working Temperature	PTFE 180 °C / CFT 220 °C
Leakage	As per ANSI B16, 16.104 Leakage Class VI Shut Off Tight / Bubble Tight
Media	Air / Water / Oil / Gas / Steam & Chemical

Accessories

- On / Off Type Limit Switch
- Combination (Filter + Regulator)
- Moisture Separator
- Quick Exhaust Valve



Sr. No.	Description	Material
1	Body	CF8 / CF8M / CF3M
2	Bonnet	CF8 / CF8M / CF3M
3	Flange	Alluminum Alloy / CF8 / CF8M
4	Cap	S. S. 304
5	Piston Flat Washer	M. S.
6	Piston V-Seal	High Nitrile
7	Piston Cap Washer	M. S.
8	Piston Spring (R.H.)	Spring Steel
9	Piston Indicator	Nylon
10	Piston Indicator Guide & Nut	Nylon
11	Lock Nut For Flange	M. S.
12	Lock Nut (Plug)	S. S. 304
13	Plug Washer	PTFE / GFT
14	Plug + Shaft	S. S. 304
15	O - Ring (6X1.5)	High Nitrile
16	O - Ring For Flange	High Nitrile
17	Teflon For Body	PTFE
18	Piston Cap Hex Bolt & Spring Washer	S. S. 304

Dimensions :

Valve Model	Size		GKS S/E L	GKF F/E L1	Port	ØD	Øg	b	f	ØJ	N	PCD	Weight Approx.	
	Inch	MM											GKS	GKF
GKS / GKF - 15	1/2"	15	65	107.9	12.5	90	37.9	8	2	15.9	4	60.3	1.000	1.780
GKS / GKF - 20	3/4"	20	75	117.3	20	100	42.9	8.9	2	15.9	4	69.9	1.160	2.080
GKS / GKF - 25	1"	25	85	127	24	110	50.8	9.6	2	15.9	4	79.4	1.920	2.980
GKS / GKF - 32	1.1/4"	32	110	139.7	30	115	63.5	11.2	2	15.9	4	88.9	2.280	3.800
GKS / GKF - 40	1.1/2"	40	114	165.1	37	125	73	12.7	2	15.9	4	98.4	2.800	5.040
GKS / GKF - 50	2"	50	125	177.8	49	150	92.1	14.3	2	19.05	4	120.7	3.280	6.980
GKS / GKF - 65	2.1/2"	65	---	190.5	64	180	104.8	15.9	2	19.05	4	139.7	---	9.960
GKS / GKF - 80	3"	80	---	203.2	75	190	127	17.5	2	19.05	4	152.4	---	16.870
GKS / GKF - 100	4"	100	---	228.6	98	230	157.2	22.3	2	19.05	8	190.5	---	23.840

(All Dimensions are in mm)

Pub. on : May, 2019 (Rev-01)

2/2 Way Globe Type On / Off Control Valve



"aira" Offers 2/2-way Globe Control Valve, Pneumatically Operated, N/C & N/O universal actuators with modular universal accessory program up to control heads. They have a stainless steel body and are available with the choice of flange-, threaded- and weld-end port connections. Specifically engineered for reliable control in applications where accuracy is paramount, Fine chemical pressure and flow control High accuracy test bench equipment, Food, beverage and pharmaceutical CIPSIP and auxiliary processes with steam Pharmaceutical Sterilizers, Precision distillation apparatus, Sterile Packaging Machinery.

Size Range : 1/2" to 2" Screwed & 1/2" to 4" Flanged

Actuator Specification		Actuator Type
Port Connection	1/4" BSP (NPT On Request)	Double Acting
Operating Pressure	4.5 to 7 BAR 1/2" to 2" / 5 to 7 BAR 2.1/2" to 4"	Single Acting
Operating Cycles	350 to 650 Cycles / Hr.	Normally Open
Media	Dry Lubricated Air / Inner Gases (Hydint Moisture Separator are advised to use in line)	



Model : AGS

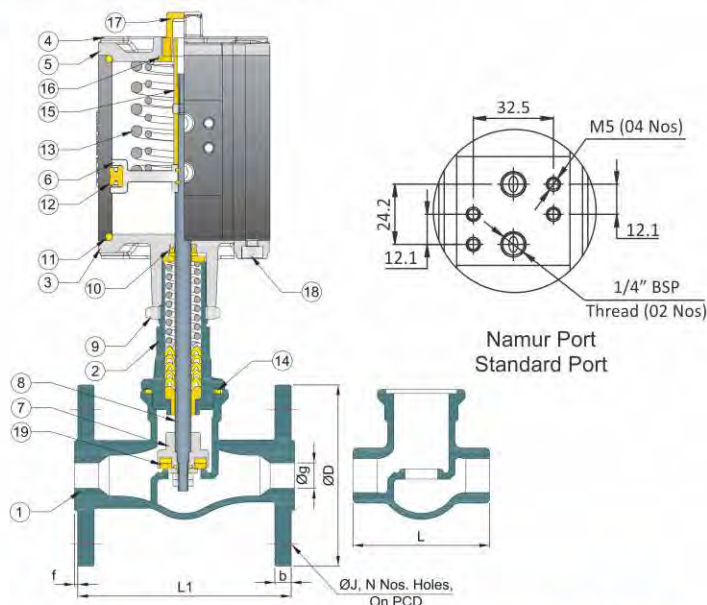
Model : AGF

Valve Specification	
Body Test Press.	10 Bar Maximum (12 Kg One Size Higher Actuator 16 Kg Two Size Higher Actuator)
Working Pressure	Upto 10 Bar
Working Temperature	PTFE 180 °C / CFT 220 °C
Leakage	As per ANSI B16, 16.104 Leakage Class VI Shut Off Tight / Bubble Tight
Media	Air / Water / Oil / Gas / Steam & Chemical

Accessories

- 3/2 & 5/2 Way Namur Solenoid Valve
- Pilot Valve
- On / Off Type Limit Switch
- Combination (Filter + Regulator)
- Moisture Separator
- Quick Exhaust Valve

Sr. No.	Description	Material
1	Body	CF8 / CF8M / CF3M
2	Bonnet	CF8 / CF8M / CF3M
3	Flange Bottom Cover	Aluminum
4	Flange Top Cover	Aluminum
5	Actuator Cap	Aluminum
6	Piston	Aluminum
7	Plug	S. S. 304
8	Plug + Piston Shaft	S. S. 304
9	Lock Nut for Flange	S. S.
10	V - Seal for Flange	High Nitrile
11	'O' Ring for Flange Top & Bottom	High Nitrile
12	V - Seal for Piston	High Nitrile
*13	Spring for Piston	Spring Steel
14	Teflon for Body	PTFE
15	Indicator for Piston	Nylon / Aluminum
16	'O' Ring for Indicator	High Nitrile
17	Dom Indicator	Nylon
18	Socket Head Cap Screw	S. S.
19	Plug Washer	PTFE / GFT



* These Item (Spring) Not Applicable In Double Acting Actuator.

Dimensions :

Valve Model	Size		AGS S/E L	AGF F/E L1	Port	ØD	Øg	b	f	ØJ	N	PCD	Weight Approx.	
	Inch	MM											AGS	AGF
AGS / AGF - 15	1/2"	15	65	107.9	12.5	90	37.9	8	2	15.9	4	60.3	1.040	1.820
AGS / AGF - 20	3/4"	20	75	117.3	20	100	42.9	8.9	2	15.9	4	69.9	1.060	2.030
AGS / AGF - 25	1"	25	85	127	24	110	50.8	9.6	2	15.9	4	79.4	1.640	3.100
AGS / AGF - 32	1.1/4"	32	110	139.7	30	115	63.5	11.2	2	15.9	4	88.9	2.660	4.440
AGS / AGF - 40	1.1/2"	40	114	165.1	37	125	73	12.7	2	15.9	4	98.4	2.980	5.700
AGS / AGF - 50	2"	50	125	177.8	49	150	92.1	14.3	2	19.05	4	120.7	3.520	7.940
AGS / AGF - 65	2.1/2"	65	----	190.5	64	180	104.8	15.9	2	19.05	4	139.7	----	14.520
AGS / AGF - 80	3"	80	----	203.2	75	190	127	17.5	2	19.05	4	152.4	----	17.960
AGS / AGF - 100	4"	100	----	228.6	98	230	157.2	22.3	2	19.05	8	190.5	----	32.320

(All Dimensions are in mm)

Pub. on : May, 2019 (Rev-01)

2/2 - 3/2 Way Straight Type Mixing & Diverting Medium Pressure Control Valve



Model : 3LCS



Model : 3LCF

"aira" Offers ON/OFF Control Valve in compact Design for mixing and or diverting three way application.

Size Range : 1/2" to 4" Screwed / Flanged

Actuator Specification

Port Connection	1/4" BSP (NPT On Request)
Operating Pressure	4.5 to 7 BAR 1/2" to 2" / 5 to 7 BAR 2.1/2" to 4"
Operating Cycles	350 to 650 Cycles / Hr.
Media	Dry Lubricated Air / Inner Gases (Hydint Moisture Separator are advised to use in line)

GKS / GKF Model Types

Normally Close	Energised To Open
Normally Open	Energised To Close
Double Acting	

Valve Specification

Body Test Press.	10 Bar Maximum (12 Kg One Size Higher Actuator 16 Kg Two Size Higher Actuator)
Working Pressure	Upto 10 Bar
Working Temperature	PTFE 180 °C / CFT 220 °C
Leakage	As per ANSI B16, 16.104 Leakage Class VI Shut Off Tight / Bubble Tight
Media	Air / Water / Oil / Gas / Steam & Chemical

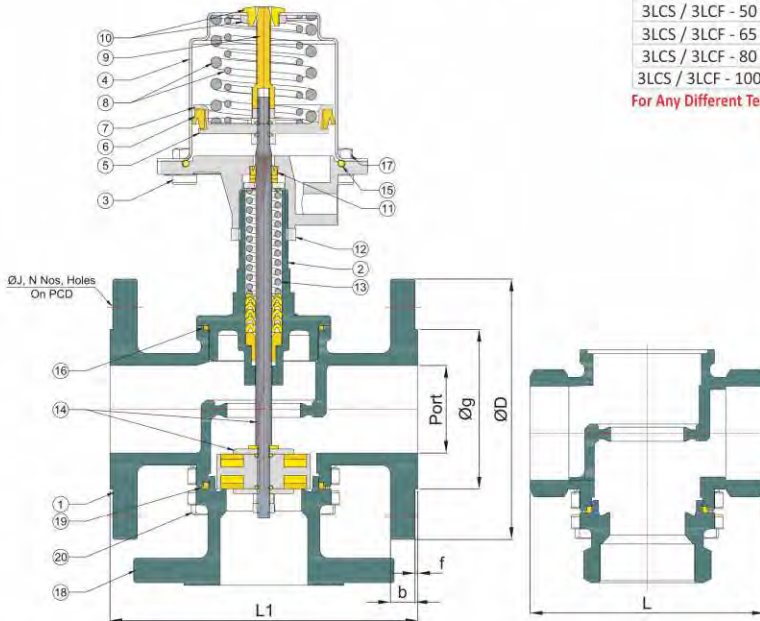
Accessories

- On / Off Type Limit Switch
- Combination (Filter + Regulator)
- Moisture Separator
- Quick Exhaust Valve

Technical Specification Table

Valve Model	Size		Orifice mm	Max. Oper. Press. Bar	Flow Factor Kv M3/hr	Actuator Bore mm	Air Consumption Lit. / Cycle
	MM	Inch					
3LCS / 3LCF - 15	15	1/2"	14	10	3.3	50	0.151
3LCS / 3LCF - 20	20	3/4"	15	10	4.7	50	0.151
3LCS / 3LCF - 25	25	1"	22	10	8.5	70	0.172
3LCS / 3LCF - 32	32	1.1/4"	28	10	22.5	70	0.172
3LCS / 3LCF - 40	40	1.1/2"	36	10	22.5	70	0.172
3LCS / 3LCF - 50	50	2"	45	7	35	70	0.309
3LCS / 3LCF - 65	65	2.1/2"	60	-	-	100	0.329
3LCS / 3LCF - 80	80	3"	60	-	-	120	-
3LCS / 3LCF - 100	100	4"	78	-	-	120	-

For Any Different Technical Requirement - Available On Request



Sr. No.	Description	Material
1	Body	CF8 / CF8M
2	Bonnet	CF8 / CF8M
3	Flange	ALLU. ALLOY. CF8 / CF8M
4	Cap	S.S 304
5	Piston Flat Washer	M.S
6	Piston V-Seal	High Nitrile
7	Piston Cap Washer	M.S
8	Piston Spring (R.H) & (L.H)	SPRING STEEL
9	Piston Indicator	NYLONE
10	Piston Indicator Guide & Nut	NYLONE
11	V-Seal For Flange	High Nitrile
12	Lock nut for Flange	M.S
13	Spring For Bonnet	S.S 304
14	Plug = Shaft	S.S 304
15	O-Ring For Flange	High Nitrile
16	Teflon For Body	PTFE (Sealing Gasket)
17	Piston Cap Hex Bolt & Spring Washer	S.S 304
18	Connector	CF8 / CF8M
19	Teflon For Connector	CF8 / CF8M (Sealing Gasket)
20	Connector Hex Bolt & Spring Washer	S. S. 304

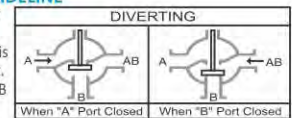
Dimensions :

Size		3LCS L	3LCF L1	Port	ØD	b	Øg	f	ØJ	N	PCD	Weight (Approx.)	
MM	Inch											3LCS	3LCF
15	1/2"	70.5	108	12.5	90	8	34.9	2	15.9	4	60.3	1.300	2.980
20	3/4"	85.5	117.3	17	100	8.9	42.9	2	15.9	4	69.9	1.560	3.380
25	1"	90.5	127	24	110	9.6	50.8	2	15.9	4	79.4	2.120	5.070
32	1.1/4"	98.5	139.7	30	115	11.2	63.5	2	15.9	4	88.9	2.820	6.690
40	1.1/2"	115	165.1	37	125	12.7	73	2	15.9	4	98.4	3.080	7.950
50	2"	120	177.8	49	150	14.3	92.1	2	15.9	4	120.7	3.780	11.080
65	2.1/2"	148	210	64	180	15.9	104.8	2	19.05	4	139.7	8.930	24.440
80	3"	177	225.50	75	190	17.5	127	2	19.05	4	152.4	9.940	27.560
100	4"	190	251	98	230	22.3	157.2	2	19.05	4	190.5	19.850	37.260

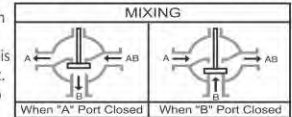
(All Dimensions are in mm)

OPERATIONAL & INSTALLATION GUIDELINE

In Normal condition "A" port is closed. In such condition "AB" port is connected to "B" port. When the actuator is energised, the "B" port is closed and "AB" port is connected to "A" port. This way the "Diverting" action AB to B and AB to A can be achieved.



In Normal condition "B" port is closed. In such condition "A" port is connected to "A" port. When the actuator is energised, the "A" port is closed and "B" port is connected to "AB" port. This way the "Mixing" action A to AB and B to AB can be achieved.



Pub. on : May, 2019 (Rev-01)

2/2 - 3/2 Way Straight Type Mixing & Diverting Medium Pressure Control Valve



"aira" Offers ON/OFF Control Valve in compact Design for mixing and or diverting three way application.

Size Range : 1/2" to 4" Screwed / Flanged

Actuator Specification		Actuator Type
Port Connection	1/4" BSP (NPT On Request)	Double Acting
Operating Pressure	4.5 to 7 BAR 1/2" to 2" / 5 to 7 BAR 2.1/2" to 4"	Single Acting
Operating Cycles	350 to 650 Cycles / Hr.	Normally Open
Media	Dry Lubricated Air / Inner Gases (Hydint Moisture Separator are advised to use in line)	

Valve Specification	
Body Test Press.	10 Bar Maximum (12 Kg One Size Higher Actuator 16 Kg Two Size Higher Actuator)
Working Pressure	Upto 10 Bar
Working Temperature	PTFE 180 °C / CFT 220 °C
Leakage	As per ANSI B16, 16.104 Leakage Class VI Shut Off Tight / Bubble Tight
Media	Air / Water / Oil / Gas / Steam & Chemical

Technical Specification Table

Valve Model	Size		Orifice mm	Max. Oper. Press. Bar	Flow Factor Kv M3/hr	Actuator Bore mm	Air Consumption Lit./ Cycle
	MM	Inch					
3ALCS / 3ALCF - 15	15	1/2"	14	10	3.3	50	0.151
3ALCS / 3ALCF - 20	20	3/4"	15	10	4.7	50	0.151
3ALCS / 3ALCF - 25	25	1"	22	10	8.5	70	0.172
3ALCS / 3ALCF - 32	32	1.1/4"	28	10	22.5	70	0.172
3ALCS / 3ALCF - 40	40	1.1/2"	36	10	22.5	70	0.172
3ALCS / 3ALCF - 50	50	2"	45	7	35	70	0.309
3ALCS / 3ALCF - 65	65	2.1/2"	60	-	-	100	0.329
3ALCS / 3ALCF - 80	80	3"	60	-	-	120	-
3ALCS / 3ALCF - 100	100	4"	78	-	-	160	-

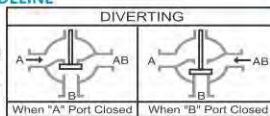
For Any Different Technical Requirement - Available On Request

Sr. No.	Description	Material
1	Body	CF8 / CF8M
2	F/E End Connector	CF8 / CF8M
3	Bonnet	CF8 / CF8M
4	Flange Bottom Cover	Aluminum
5	Flange top Cover	Aluminum
6	ACT. Cap	Aluminum
7	Piston	Aluminum
8	Plug	S. S. 304
9	Plug + Piston Shaft	S. S. 304
10	Plug Washer (S.S)	S. S. 304
11	Lock Nut For Plug	S. S. 304
12	Spring For Bonnet	S. S.
13	Lock Nut For Flange	S. S.
14	V-Seal For Flange	High Nitrile
15	O-Ring For Flange Top & Bottom	High Nitrile
16	V-Seal For Piston (K Type)	High Nitrile
*17	Spring For Piston	Spring Steel
18	Teflon For Body	PTFE
19	Indicator For Piston	Nylon / Aluminum
20	Dom Indicator	Nylon
21	Socket Head Cap Screw	S. S.

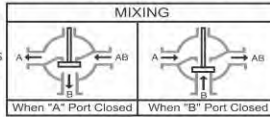
* These Item (Spring) Not Applicable In Double Acting In Double Acting Actuator.

OPERATIONAL & INSTALLATION GUIDELINE

In Normal condition "A" port is closed. In such condition "AB" port is connected to "B" port. When the actuator is energised, the "B" port is closed and "AB" port is connected to "A" port. This way the "Diverting" action AB to B and AB to A can be achieved.

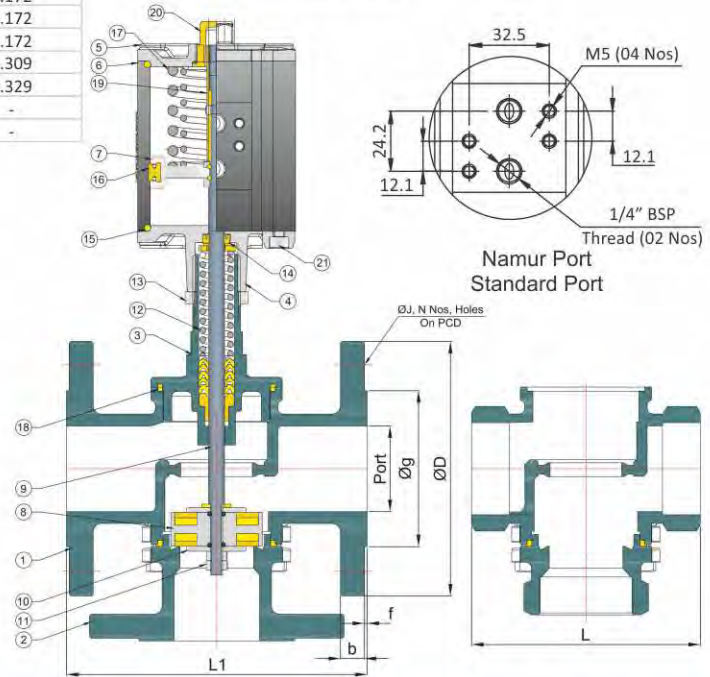


In Normal condition "B" port is closed. In such condition "A" port is connected to "A" port. When the actuator is energised, the "A" port is closed and "B" port is connected to "AB" port. This way the "Mixing" action A to AB and B to AB can be achieved.



Accessories

- 3/2 & 5/2 Way Namur Solenoid Valve
- Pilot Valve
- On / Off Type Limit Switch
- Combination (Filter + Regulator)
- Moisture Separator
- Quick Exhaust Valve



Dimensions :

Size	3LCS L	3LCF L1	Port	ØD	b	øg	f	ØJ	N	PCD	Weight (Approx.)	
											3LCS	3LCF
15	70.5	108	12.5	90	8	34.9	2	15.9	4	60.3	1.520	2.620
20	85.5	117.3	17	100	8.9	42.9	2	15.9	4	69.9	1.740	3.650
25	90.5	127	24	110	9.6	50.8	2	15.9	4	79.4	2.580	4.520
32	98.5	139.7	30	115	11.2	63.5	2	15.9	4	88.9	3.100	6.910
40	115	165.1	37	125	12.7	73	2	15.9	4	98.4	3.420	6.970
50	120	177.8	49	150	14.3	92.1	2	15.9	4	120.7	4.240	9.960
65	148	210	64	180	15.9	104.8	2	19.05	4	139.7	11.400	26.910
80	177	225.50	75	190	17.5	127	2	19.05	4	152.4	12.100	29.200
100	190	251	98	230	22.3	157.2	2	19.05	4	190.5	24.100	35.900

(All Dimensions are in mm)

Pub. on : May, 2019 (Rev-01)

2/2 - 3/2 Way Straight Type Mixing & Diverting High Pressure Control Valve



Model : 3CVS



Model : 3CVF

"aira" Offers ON/OFF Valve in compact Design for mixing and or diverting three way application.

Size Range : 1/2" to 2.1/2" Screwed / Flanged

Actuator Specification

Port Connection	1/4" BSP (NPT On Request)
Operating Pressure	4.5 to 7 BAR
Operating Cycles	350 to 650 Cycles / Hr.

Valve Type

Normally Close	Energised To Open
Normally Open	Energised To Open
Double Acting	

Valve Specification

Body Test Pressure	PN 10 (PN 20 One Size Higher Actuator & PN 40 Two Size Higher Actuator
Working Pressure	Refer to Table
Working Temperature	PTFE 180 °C / CFT 220 °C
Leakage	As Per ANSI B 16.104 - 1976 Teflon Seating Class IV For Other Soft Seating Class VI Drop Tight / Bubble Tight

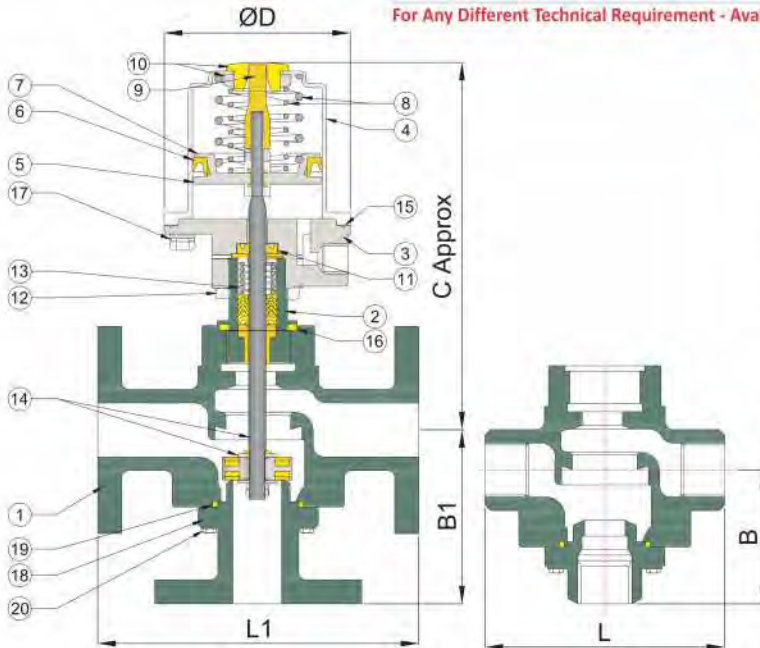
Technical Specification Table

Size	Orifice		Max. Oper. Press. Bar	Flow Factor Kv M3/hr	Actuator Bore mm	Air Consumption Lit./ Cycle
	MM	Inch				
15	1/2"	15	10	3.3	70	0.151
20	3/4"	18	10	4.7	70	0.151
25	1"	23	10	8.5	70	0.162
40	1.1/2"	36	10	22.5	100	0.309
50	2"	45	-----	35	100	0.325
65	2.1/2"	59.5	-----	-----	120	-----

Accessories

- On / Off Type Limit Switch
- Combination (Filter + Regulator)
- Moisture Separator
- Quick Exhaust Valve

For Any Different Technical Requirement - Available On Request

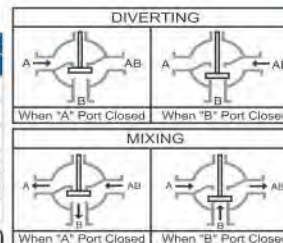


Sr. No.	Description	Material
1	Body	CF8 / CF8M
2	Bonnet	CF8 / CF8M
3	Flange	ALLU.ALLOY.CF8 / CF8M
4	Cap	S.S. 304
5	Piston Flat Washer	M.S
6	Piston V-Seal	High Nitrile
7	Piston Cap Washer	M.S
8	Piston Spring (R.H) & (L.H)	SPRING STEEL
9	Piston Indicator	NYLONE
10	Piston Indicator Guide & nut	NYLONE
11	V-Seal For Flange	High Nitrile
12	Lock nut For Flange	M.S
13	Spring For Bonnet	S. S. 304
14	Plug + Shaft	S. S. 304
15	O-Ring For Flange	High Nitrile
16	Teflon For Body	PTFE (Sealing Gasket)
17	Piston Cap Hex Bolt & Spring Washer	S. S. 304
18	Connector	CF8 / CF8M (Sealing Gasket)
19	Teflon For Connector	s. s. 304
20	Connector Hex Bolt & Spring Washer	

Dimensions :

Valve Model	Size		3CVS S/E L	3CVF F/E L1	B	B1	C	ØD	Weight Approx.	
	Inch	MM							3CVS	3CVF
3CVS / 3CVF - 15	1/2"	15	85	151	50	83	185	102	1.760	3.000
3CVS / 3CVF - 20	3/4"	20	110	185	66	130.5	194	102	2.220	3.560
3CVS / 3CVF - 25	1"	25	120	189	72	106.5	204	102	3.000	4.900
3CVS / 3CVF - 40	1.1/2"	40	150	232	91	132	285	134	7.320	10.240
3CVS / 3CVF - 50	2"	50	190	283	100	146.5	292	164	10.440	14.560
3CVS / 3CVF - 65	2.1/2"	65	243	On Req.	108	On Req.	On Req.	164	-----	-----

(All Dimensions are in mm)



OPERATIONAL & INSTALLATION GUIDELINE

In Normal condition "A" port is closed. In such condition "AB" port is connected to "B" port. When the actuator is energised, the "B" port is closed and "AB" port is connected to "A" port. This way the "Diverting" action AB to B and AB to A can be achieved.

In Normal condition "B" port is closed. In such condition "A" port is connected to "AB" port. When the actuator is energised the "A" port is closed and "B" port is connected to "AB" port. This way the "Mixing" action A to AB and B to AB can be achieved

Pub. on : May, 2019 (Rev-01)

2/2 - 3/2 Way Straight Type Mixing & Diverting High Pressure Control Valve



"aira" Offers ON/OFF Valve in compact Design for mixing and or diverting three way application.

Size Range : 1/2" to 2.1/2" Screwed / Flanged

Actuator Specification	
Port Connection	1/4" BSP (NPT On Request)
Operating Pressure	4.5 to 7 BAR 1/2" to 2" & 5 to 7 BAR 2.1/2"
Operating Cycles	350 to 650 Cycles / Hr.
Media	Dry Lubricated Air / Inner Gases (Hydint Moisture Separator are advised to use in line)

Actuator Type
Double Acting
Single Acting
Normally Open

Valve Specification	
Body Test Pressure	PN 10 (PN 20 One Size Higher Actuator & PN 40 Two Size Higher Actuator)
Working Pressure	Refer to Table
Working Temperature	PTFE 180 °C / CFT 220 °C
Leakage	As Per ANSI B 16.104 - 1976 Teflon Seating Class IV For Other Soft Seating Class VI Drop Tight / Bubble Tight



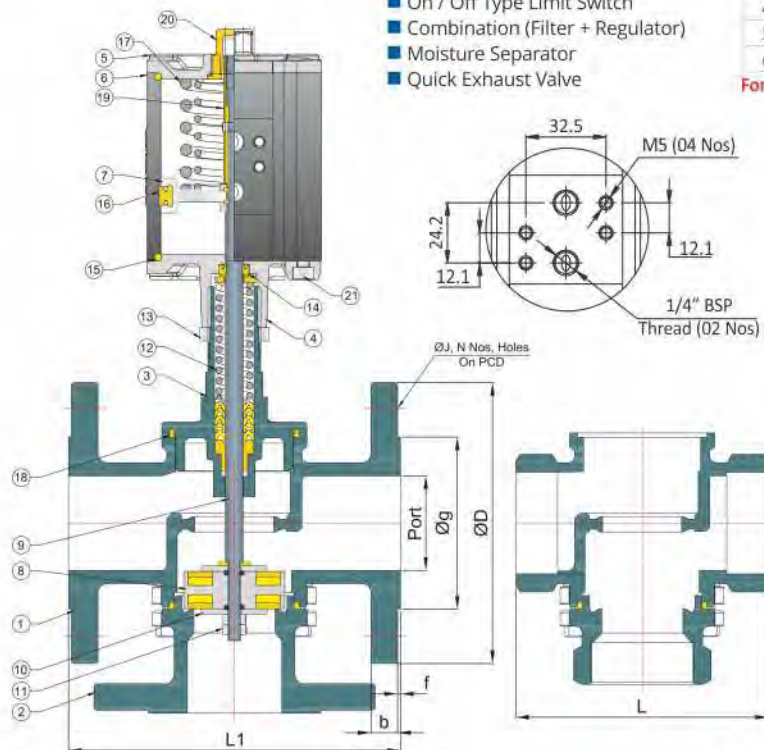
Accessories

- 3/2 & 5/2 Way Namur Solenoid Valve
- Pilot Valve
- On / Off Type Limit Switch
- Combination (Filter + Regulator)
- Moisture Separator
- Quick Exhaust Valve

Technical Specification Table

Size	Orifice		Max. Oper. Press. Bar	Flow Factor Kv M3/hr	Actuator Bore mm	Air Consumption Lit./ Cycle
	MM	Inch				
15	1/2"	15	10	3.3	70	0.151
20	3/4"	18	10	4.7	70	0.151
25	1"	23	10	8.5	70	0.162
40	1.1/2"	36	10	22.5	100	0.309
50	2"	45	---	35	100	0.325
65	2.1/2"	59.5	---	---	120	---

For Any Different Technical Requirement - Available On Request



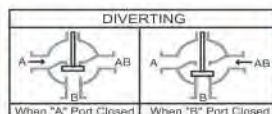
Sr. No.	Description	Material
1	Body	CF8 / CF8M
2	F/E End Connector	CF8 / CF8M
3	Bonnet	CF8 / CF8M
4	Flange Bottom Cover	Aluminium
5	Flange top Cover	Aluminium
6	ACT. Cap	Aluminium
7	Piston	Aluminium
8	Plug	S. S. 304
9	Plug + Piston Shaft	S. S. 304
10	Plug Washer (S.S)	S. S. 304
11	Lock Nut For Plug	S. S. 304
12	Spring For Bonnet	S. S.
13	Lock Nut For Flange	S. S.
14	V-Seal For Flange	High Nirtile
15	O-Ring For Flange Top & Bottom	High Nirtile
16	V-Seal For Piston	High Nirtile
*17	Spring For Piston	Spring Steel
18	Teflon For Body	PTFE
19	Indicator For Piston	Nylon / Aluminium
20	Dom Indicator	Nylon
21	Socket Head Cap Screw	STD.

* These Item (Spring) Not Applicable In Double Acting Actuator.

Dimensions :

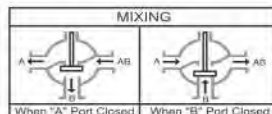
Valve Model	Size		L	L1	B	B1	C	ØD	Weight Approx.	
	Inch	MM							3CVS	3CVF
3ACVS / 3ACVF - 15	1/2"	15	85	151	50	83	185	102	1.760	3.000
3ACVS / 3ACVF - 20	3/4"	20	110	185	66	130.5	194	102	2.220	3.560
3ACVS / 3ACVF - 25	1"	25	120	189	72	106.5	204	102	3.000	4.900
3ACVS / 3ACVF - 40	1.1/2"	40	150	232	91	132	285	134	7.320	10.240
3ACVS / 3ACVF - 50	2"	50	190	283	100	146.5	292	164	10.440	14.560
3ACVS / 3ACVF - 65	2.1/2"	65	243	On Req.	108	On Req.	On Req.	164	---	---

(All Dimensions are in mm)



OPERATIONAL & INSTALLATION GUIDELINE

In Normal condition "A" port is closed. In such condition "AB" port is connected to "B" port. When the actuator is energised, the "B" port is closed and "AB" port is connected to "A" port. This way the "Diverting" action AB to B and AB to A can be achieved.



In Normal condition "B" port is closed. In such condition "A" port is connected to "AB" port. When the actuator is energised the "A" port is closed and "B" port is connected to "AB" port. This way the "Mixing" action A to AB and B to AB can be achieved

Pub. on : May, 2019 (Rev-01)

Pneumatic Cylinder Operated Drain Valve



Model : SQV

"aira" Offers 2/2 Way Pneumatic Cylinder Operated Drain Valve. Which will be used in textile machinery.

Size Range : 1/2" to 4" Screwed / Flanged

Actuator Specification

Port Connection	1/4" BSP (NPT On Request)
Operating Pressure	4.5 to 7 BAR 1/2" to 2" / 5 to 7 BAR 2.1/2" to 4"
Operating Cycles	350 to 650 Cycles / Hr.
Media	Dry Lubricated Air / Inner Gases (Hydint Moisture Separator are advised to use in line)

SRT / SRK Model Types

Normally Close	Energised To Open
Normally Open	Energised To Close
Double Acting	

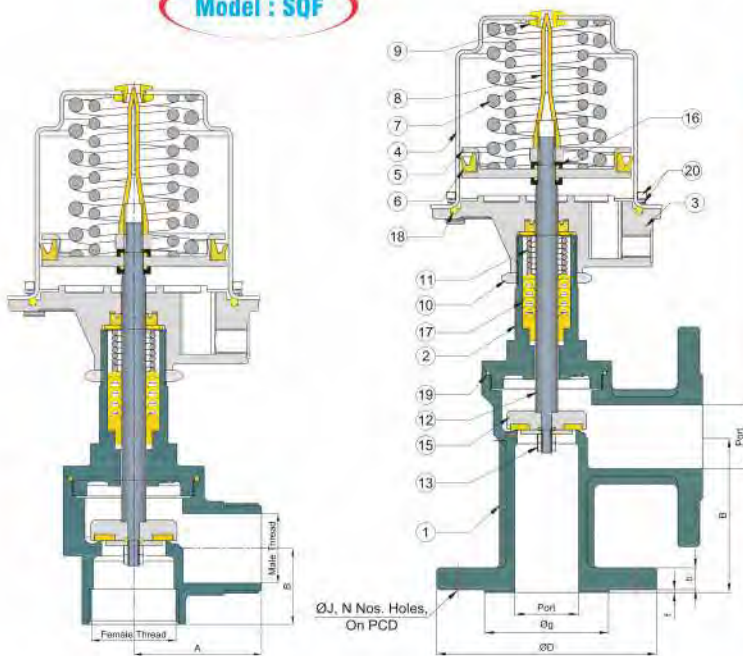
Valve Specification

Body Test Press.	10 Bar Maximum (12 Kg One Size Higher Actuator 16 Kg Two Size Higher Actuator)
Working Pressure	Upto 10 Bar
Working Temperature	PTFE 180 °C / CFT 220 °C
Leakage	As per ANSI B16, 16.104 Leakage Class VI Shut Off Tight / Bubble Tight
Media	Air / Water / Oil / Gas / Steam & Chemical

Accessories

- On / Off Type Limit Switch
- Combination (Filter + Regulator)
- Moisture Separator
- Quick Exhaust Valve

Model : SQF



Sr. No.	Description	Material
1	Body	CF8 / CF8M / CF3M
2	Bonnet	CF8 / CF8M / CF3M
3	Flange	Aluminum Alloy / CF8 / CF3M
4	Cap	S. S. 304
5	Piston Flat Washer	M. S.
6	Piston V - Seal	High Nitrile
7	Piston Spring (L.H. & R.H.)	Spring Steel
8	Piston Indicator	Nylon
9	Piston Indicator Guide & Nut	Nylon
10	Lock Nut for Flange	M. S.
11	Spring For Bonnet	Spring Steel
12	Shaft	S. S. 304
13	Plug Lock Nut	S. S. 304
14	Plug Washer	PTFE / CFT
15	Plug	S. S. 304
16	O - Ring For Collar	High Nitrile
17	Bonnet U - Seal	PTFE / CFT
18	Flange O - Ring	High Nitrile
19	Body Seal	PTFE / CFT
20	Piston Cap Hex Bolt & Spring Washer	S. S. 304

Dimensions :

Valve Model	Size		Screwed				Flanged 150#						
	MM	Inch	A	B	B	Port	ØD	Øg	b	f	ØJ	N	PCD
SQV / SQF - 15	15	1/2"	48.8	22.1	---	---	---	---	---	---	---	---	---
SQV / SQF - 20	20	3/4"	50	28	---	---	---	---	---	---	---	---	---
SQV / SQF - 25	25	1"	54.8	31	70	24	107.9	50.8	9.6	2	15.9	4	79.4
SQV / SQF - 32	32	1.1/4"	63.4	37	---	---	---	---	---	---	---	---	---
SQV / SQF - 40	40	1.1/2"	68	40.5	92	37	127	73	12.7	2	15.9	4	98.4
SQV / SQF - 50	50	2"	72.5	45.5	104.5	49	157.4	92.1	14.3	2	19.05	4	120.7
SQV / SQF - 65	65	2.1/2"	107.4	55	115	64	177.8	104.8	15.9	2	19.05	4	139.7
SQV / SQF - 80	80	3"	113	66.2	125	75	190	127	17.5	2	19.05	4	152.4
SQV / SQF - 100	100	4"	135	79	145	98	228.6	157.2	22.3	2	19.05	8	190.5

(All Dimensions are in mm)

Pub. on : May, 2019 (Rev-01)

Pneumatic Actuator Operated Drain Valve

"aira" Offers 2/2 Way Pneumatic Actuator Operated Drain Valve. Which will be used in textile machinery.

Size Range : 1/2" to 4" Screwed / Flanged

Actuator Specification	
Port Connection	1/4" BSP (NPT On Request)
Operating Pressure	4.5 to 7 BAR 1/2" to 2" / 5 to 7 BAR 2.1/2" to 4"
Operating Cycles	350 to 650 Cycles / Hr.
Media	Dry Lubricated Air / Inner Gases (Hydint Moisture Separator are advised to use in line)

Actuator Type
Double Acting
Single Acting
Normally Open



Model : DNS

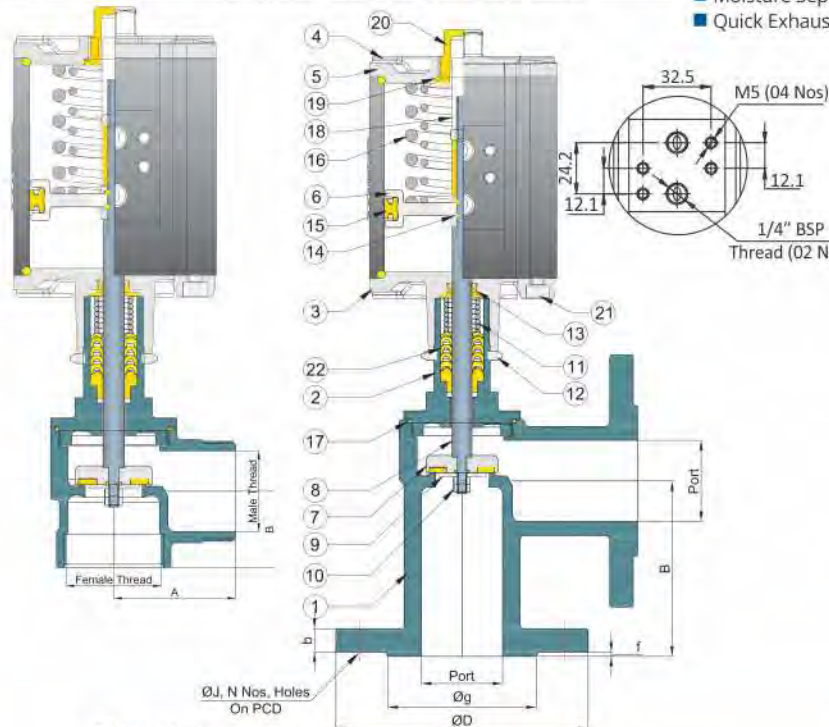


Model : DNF

Valve Specification	
Body Test Press.	10 Bar Maximum (12 Kg One Size Higher Actuator & 16 Kg Two Size Higher Actuator)
Working Pressure	Upto 10 Bar
Working Temperature	PTFE 180 °C / CFT 220 °C
Leakage	As per ANSI B16, 16.104 Leakage Class VI Shut Off Tight / Bubble Tight
Media	Air / Water / Oil / Gas / Steam & Chemical

Accessories

- 3/2 & 5/2 Way Namur Solenoid Valve
- Pilot Valve
- On / Off Type Limit Switch
- Combination (Filter + Regulator)
- Moisture Separator
- Quick Exhaust Valve



Sr. No.	Description	Material
1	Body	CF8 / CF8M / CF3M
2	Bonnet	CF8 / CF8M / CF3M
3	Flange Bottom Cover	Aluminium
4	Flange Top Cover	Aluminium
5	Actuator Cap	Aluminium
6	Piston	Aluminium
7	Plug	S. S. 304
8	Plug + Piston Shaft	S. S. 304
9	Plug Washer	S. S. 304
10	Lock Nut For Plug	S. S. 304
11	Spring For Bonnet	S. S.
12	Lock Nut For Flange	S. S. 304
13	V - Seal For Flange	High Nitrile
14	'O' Ring For Piston Collar	High Nitrile
15	K - Type V - Seal For Piston	High Nitrile
*16	Spring For Piston	S. S.
17	Teflon For Body	PTFE
18	Indicator For Piston	Nylon / Aluminium
19	'O' Ring For Indicator	High Nitrile
20	Dom Indicator	Nylon
21	Socket Head Cap Screw	Std.
22	V - Seal For Bonnet	PTFE + C

* These Item (Spring) Not Applicable In Double Acting Actuator.

Dimensions :

Valve Model	Size		Screwed			Flanged 150#							
	MM	Inch	A	B	B	Port	ØD	Øg	b	f	ØJ	N	PCD
DNS / DNF - 15	15	1/2"	48.8	22.1	---	---	---	---	---	---	---	---	---
DNS / DNF - 20	20	3/4"	50	28	---	---	---	---	---	---	---	---	---
DNS / DNF - 25	25	1"	54.8	31	70	24	107.9	50.8	9.6	2	15.9	4	79.4
DNS / DNF - 32	32	1.1/4"	63.4	37	---	---	---	---	---	---	---	---	---
DNS / DNF - 40	40	1.1/2"	68	40.5	92	37	127	73	12.7	2	15.9	4	98.4
DNS / DNF - 50	50	2"	72.5	45.5	104.5	49	157.4	92.1	14.3	2	19.05	4	120.7
DNS / DNF - 65	65	2.1/2"	107.4	55	115	64	177.8	104.8	15.9	2	19.05	4	139.7
DNS / DNF - 80	80	3"	113	66.2	125	75	190	127	17.5	2	19.05	4	152.4
DNS / DNF - 100	100	4"	135	79	145	98	228.6	157.2	22.3	2	19.05	8	190.5

(All Dimensions are in mm)

Pub. on : May, 2019 (Rev-01)

Pneumatic Cylinder Operated Pharma Diaphragm Valve



Model : PDV

"aira" Offers diaphragm valve are primarily used in sterile applications in the pharmaceutical, food & biotechnology industries.

Size Range : 1/2" to 4" Triclover Ends

Actuator Specification

Port Connection	1/4" BSP (NPT On Request)
Operating Pressure	4.5 to 7 BAR
Operating Cycles	350 to 650 Cycles / Hr.

Valve Type

Normally Close	Energised To Open
Normally Open	Energised To Open

Valve Specification

Pressure	Upto 5 Kg/cm ²
Temperature	Upto 80 °C

Accessories

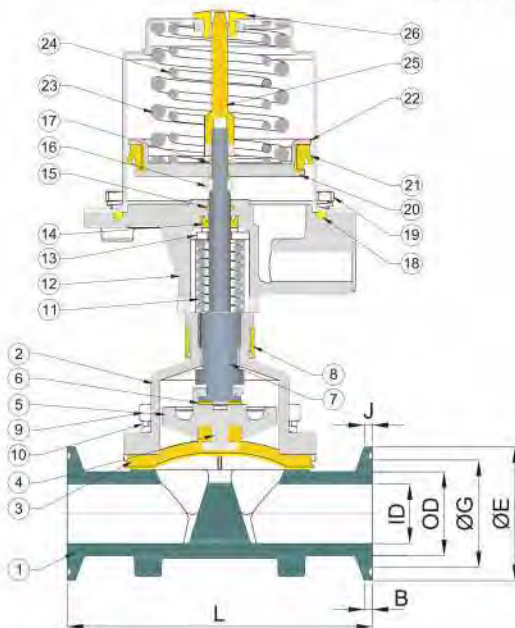
- On / Off Type Limit Switch
- Combination (Filter + Regulator)
- Moisture Separator
- Quick Exhaust Valve

Operating Principles

- The Diaphragm provides the body seal as well as the seat seal. There are no paths the outside environment an as such the valve is suitable for aseptic processes.
- As the valve is closed a pressure pad which supports the diaphragm moves towards the sealing face on the body. As the pressure plate moves the diaphragm flexes and is forced down onto the seal area in the center of the body thus closing off the flow path through the body.
- The inter - relationship of body to the pressure plate prevent over compression of the diaphragm.
- The valve can be actuated either manually or pneumatically and controlled by control tops and solenoid valves.

Applications

- Diaphragm valves, manually or pneumatically operated, and specially design for use on hygienic and aseptic process in the pharmaceutical industries.
- The valves is excellent for flow control as well as for Open / Close duties.



Dimensions :

VALVE MODEL	Size		L	ID	OD	ØG	ØE	J	B	Weight Approx.
	MM	Inch								
PDV - 15	15	1/2"	108	16	21	27.5	34	1.6	2.8	
PDV - 20	20	3/4"	117	19.5	25	27.5	34	1.6	2.8	
PDV - 25	25	1"	127	22.44	31.8	43.5	50.5	1.6	2.8	
PDV - 32	32	1.1/4"	146	32	38	43.5	50.5	1.6	2.8	
PDV - 40	40	1.1/2"	159	38	41.54	43.5	50.5	1.6	2.8	
PDV - 50	50	2"	190	50	54	56.5	64	1.6	2.8	
PDV - 65	65	2.1/2"	216	66	70	83.5	91	1.6	2.8	
PDV - 80	80	3"	254	81.18	89.2	97	106	1.6	2.8	
PDV - 100	100	4"	292	96.5	104	110	119	1.6	2.8	

(All Dimensions are in mm)

Sr. No.	Description	Material
1	Body T/C	CF8 / CF8M / CF3M
2	Bonnet	CF8
3	Diaphragm	PTFE / EPDM / NBR
4	Bolt For Diaphragm	S. S.
5	Compressor	CF8
6	Retainer	NYLON
7	Stem	S. S. 304
8	Indicator	NYLON
9	Bonnet Fitting Bolt	S. S. 304
10	Spring Washer	S.S
11	Spring For Bonnet	S.S
12	Flange	ALLU.ALLOY. CF8 / CF8M
13	Star Washer	S. S
14	V-Seal For Flange	NBR
15	O-Ring For Flange (Small) 1.5X7	NBR
16	Piston Collar (big)	BRASS
17	O-Ring Collar 4X2	NEOPRENE
18	O-Ring For Flange	NBR
19	Piston cap Hex Bolt & Spring Washer	S. S
20	Piston Flat Washer	M. S
21	Flange Flat Washer (Small)	NBR
22	Piston Cap Washer	M. S
23	Piston Spring (R.H)	SPRING STEEL
24	Piston Spring (L.H)	SPRING STEEL
25	Piston Cap	S. S
26	Piston Collar (Small)	BRASS

Pub. on : May, 2019 (Rev-01)

Pneumatic Cylinder Operated Stainless Steel Single Acting Pharma Diaphragm Valve



"aira" Offers Pneumatically Operated Diaphragm Valve Hermetically Seated Flow Path in the Body and Bonnet, Proper Selections of Diaphragm Provide, Precision Control of Critical of Ultra Pure Fluids. Fluids are Completely Isolated from the actuator and environment. Hygienic Design, Bi-directional Flow, Body for Low Turbulence. Also for Steam Sterilizing.

Biotechnology, Ideally Suitable For Liquids, Highly Lustrous, Cosmetics Pharmaceutical Industries, Finish & Aesthetical Appearance, Food Industry Liquids Contaminated with Lubricants and Grit Particles. Viscous Liquids, Process Control Technology.

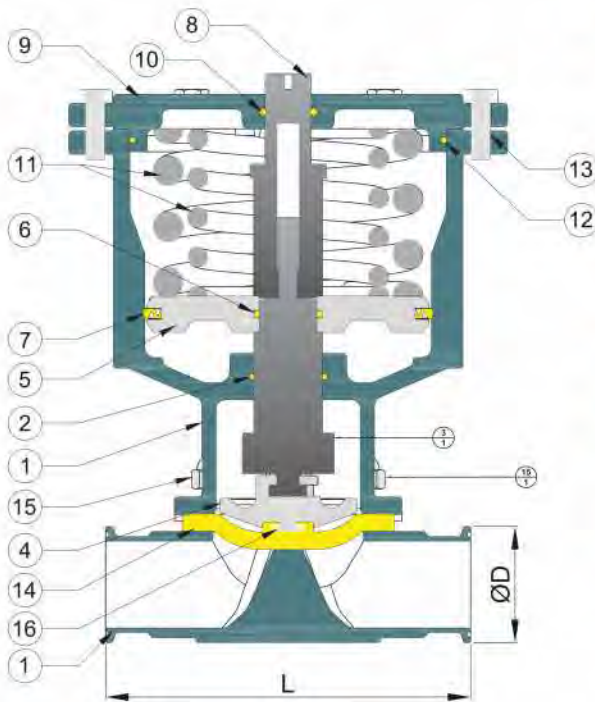
Size Range : 1/2" to 4" Triclover Ends

Specification

Actuator Pressure	4.5 to 7 BAR
Valve Pressure	Upto 5 Kg/cm ²
Temperature	Upto 80 °C

Accessories

- 3/2 & 5/2 Way Namur Solenoid Valve
- Pilot Valve
- On / Off Type Limit Switch
- Combination (Filter + Regulator)
- Moisture Separator
- Quick Exhaust Valve



Dimensions :

VALVE MODEL	Size		L	ØD
	MM	Inch		
PDV - T - 15	15	1/2"	108	34
PDV - T - 20	20	3/4"	117	34
PDV - T - 25	25	1"	127	50.5
PDV - T - 32	32	1.1/4"	146	50.5
PDV - T - 40	40	1.1/2"	159	50.5
PDV - T - 50	50	2"	190	64
PDV - T - 65	65	2.1/2"	216	91
PDV - T - 80	80	3"	254	106

(All Dimensions are in mm)

Operating Principles

- The Diaphragm provides the body seal as well as the seat seal. There are no paths the outside environment as such the valve is suitable for aseptic processes.
- As the valve is closed a pressure pad which supports the diaphragm moves towards the sealing face on the body. As the pressure plate moves the diaphragm flexes and is forced down onto the seal area in the center of the body thus closing off the flow path through the body.
- The inter - relationship of body to the pressure plate prevent over compression of the diaphragm.
- The valve can be actuated either manually or pneumatically and controlled by control tops and solenoid valves.

Applications

- Diaphragm valves, manually or pneumatically operated, and specially design for use on hygienic and aseptic process in the pharmaceutical industries.
- The valves is excellent for flow control as well as for Open / Close duties.

Sr. No.	Description	Material
1	Body	CF8 / CF8M / CF3M
2	Body O - Ring	NBR
3	Stem Top	Aluminium
4	Compressor	S. S.
5	Piston	Aluminium
6	Piston O - Ring	NBR
7	V - Seal	NBR
8	Stem Bottom	Aluminium
9	Cover	CF8 / CF8M / CF3M
10	Cover O - Ring	NBR
11	Spring	S. S.
12	Body Cover O - Ring	NBR / EPDM
13	Hex Bolt	S. S. 304
14	Diaphragm	NBR
15	Cap Nut	S. S. 304
16	Bolt For Diaphragm	S. S. 304
17	PDV Body	CF8 / CF8M / CF3M

Pub. on : May, 2019 (Rev-01)

Rubber Lined Diaphragm Valve

"aira" Offers Pneumatic Operated Rubber Lined Diaphragm Valve For Waste & Water Treatment Plants, Filtration Plants, Chlorination Plants, etc....

Size Range : 1/2" to 8" Flanged

Technical Specification	
Valve Design	Confirm to BS - 5156 (Series "S")
Body Type Valve Size	Weir (Lined)
Lining Material	Ebonite, EPDM, Glass, PFA etc...
Lining Hardness	Ebonite - 950 ±5 Shore A / D 62 Glasslining
Lining Thickness	15 to 65mm Valve -3.0mm, 80 to 100mm -3.5mm, 125mm to 150mm -4.0, 200 -5.0mm
Body Diaphragm	Neoprene, Teflon Backed with Neoprene, Butyl, Viton, EPDM, Hyplon, Nitrile
Leakage Rate	As per ANSI B 16.104 Class VI (100% Leak Tight)
Temperature	-30 OC to 80 OC
Flow Characteristics	On / Off, Throttling
Testing Standard	BS 6755 - Part I
Actuator Type	Diaphragm Cylinder or Piston (Upto 50 mm)
Actuator Action	Direct / Reverse Acting, Normally Open (Air to Close) Normally Open (Air to Open)
Air Supply	20 - 65 PSIG (1.4 to 4.5 Kg/cm ²)
Accessories	Top mounted Handwheel, Limit Switches, Proximity Switches, Air Set, Valve Positioner, Air Lock Valve etc....



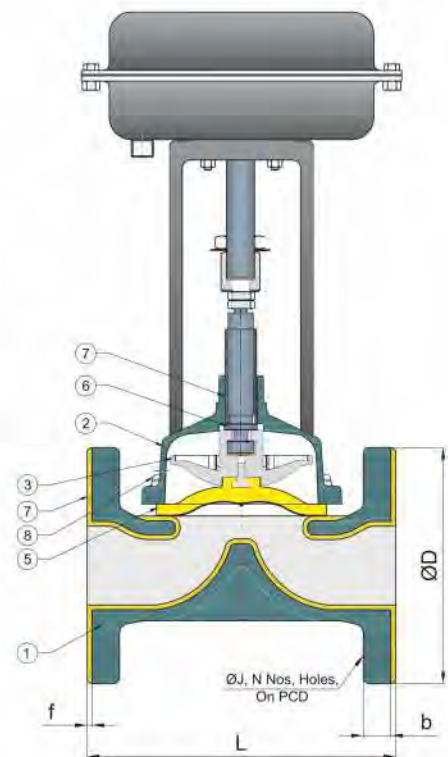
Design Features

- The Diaphragm Valve is essentially a simple pinch clamp, closed by pressing a flexible diaphragm against transverse weir, when fully closed, the diaphragm seats against the weir providing a leak tight closure.
- The diaphragm valves are recommended for handling sticky and viscous fluids, slurries and highly corrosive and hazardous and other hard to handle mediums or where tight closure is prime factor, It is the most ideal valve to handle fluids that require high purity and should remain free from contamination.
- The diaphragm valve is simple pinch type valve and of low pressure type because of large area of diaphragm and is extensively used for both on/off and throttling service and finds its application in Water treatment plants, Filtration plants, Chlorination Plants etc.....

Dimensions :

Valve Model	Size		L	f	ØD	b	ØJ	N	PCD
	Inch	MM							
RLPDV-F-15	1/2"	15	114	3	90	10	15.9	4	60.3
RLPDV-F-20	3/4"	20	123	3	100	10.9	15.9	4	69.9
RLPDV-F-25	1"	25	133	3	110	11.6	15.9	4	79.4
RLPDV-F-32	1.1/4"	32	152	3	115	13.2	15.9	4	88.9
RLPDV-F-40	1.1/2"	40	165	3	125	14.7	15.9	4	98.4
RLPDV-F-50	2"	50	196	3	150	16.3	19.05	4	120.7
RLPDV-F-65	2.1/2"	65	222	3	180	17.9	19.05	4	139.7
RLPDV-F-80	3"	80	260	3	190	19.5	19.05	4	152.4
RLPDV-F-100	4"	100	311	3	230	24.3	19.05	8	190.5
RLPDV-F-125	5"	125	362	3	255	24.3	22.2	8	215.9
RLPDV-F-150	6"	150	412	3	280	25.9	22.2	8	241.3
RLPDV-F-200	8"	200	527	3	345	29	22.2	8	298.5

(All Dimensions are in mm)



Sr. No.	Description	Material
1	Body	C. I. / WCB
2	Bonnet	C. I. / WCB
3	Compressor	WCB / CF8 / CF8M
4	Pneumatic Actuator	Standard
5	Diaphragm	NBR
6	Bonnet Stem	M. S. / EN8
7	Body Molding	Ebonite
8	Hex Bolt & Nut	S. S. 304

Pub. on : May, 2019 (Rev-01)

2/2 & 3/2 Way Pneumatic Cylinder Operated "PLC" Model Control Valve



"aira" Offers 2/2 - 3/2 way pneumatic Cylinder operated precise Regulating design control valve for Steam & Water Upto 200 °C

Size Range : 1/2" to 4" Flanged

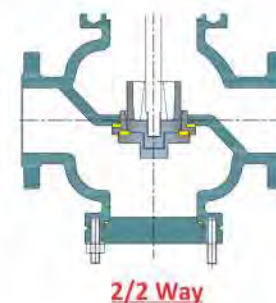
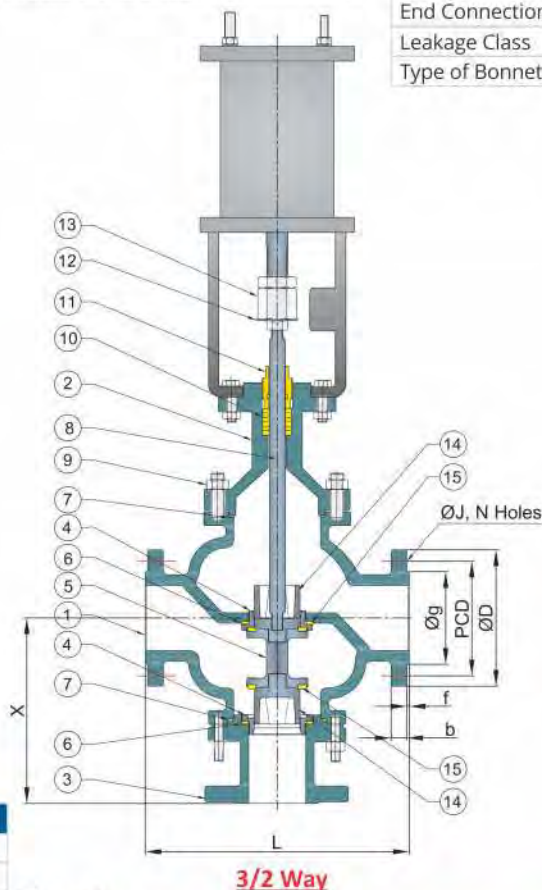


Cylinder Specification

Type	Single Acting Cylinder
Barrel	Aluminium
Shaft	EN 8 Hard Chrome Plated
Seals	Buna - N
End Cover	Cast Iron
Working Pressure	4.5 Kg/cm ²

Valve Specification

Type of Valve	Globe Type 2/2 & 3/2 Way
Trim / Plug	S. S. 304
Working Pressure	7 Kg/cm ²
Working Temperature	Upto 220 °C Max.
Plug Design	On - Off Type
Testing Code	FCI 70.2
End Connection	ASME B16.5
Leakage Class	Class VI
Type of Bonnet	STD.



Sr. No.	Description	Material
1	Body	WCB
2	Bonnet	WCB
3	Tail Piece / Cover Plate	WCB
4	Seat Ring	S. S. 304
5	T. S. Guide	S. S. 304
6	Seat Gasket	S. S. 304 Spiral Wound
7	Body Gasket	S. S. 304 Spiral Wound
8	Stem	S. S. 304
9	Stud + Nut	ASTM A 193 / B7-2H
10	Stem Packing	Wire Braided Graphite
11	Gland Nut	S. S. 304
12	Travel Indicator	S. S. 202
13	Connecting Nut	S. S. 304
14	T. S. Plug	S. S. 304
15	Seat	CFT

Dimensions :

VALVE MODEL	Size		L	PCD	Øg	ØD	b	f	ØJ	N	X
	MM	Inch									
PLC - 15	15	1/2"	184	60.3	34.9	90	8	2	15.9	4	145
PLC - 20	20	3/4"	184	69.9	42.9	100	8.9	2	15.9	4	145
PLC - 25	25	1"	184	79.4	50.8	110	9.6	2	15.9	4	145
PLC - 40	40	1.1/2"	222	98.4	73	125	12.7	2	15.9	4	160
PLC - 50	50	2"	254	120.7	92.1	150	14.3	2	19.05	4	180
PLC - 65	65	2.1/2"	276	139.7	104.8	180	15.9	2	19.05	4	205
PLC - 80	80	3"	298	152.4	127	190	17.5	2	19.05	4	205
PLC - 100	100	4"	352	190.5	157.2	230	22.3	2	19.05	8	240

* "X" Dimension only 3/2 Way Valve

(All Dimensions are in mm)

Pub. on : May, 2019 (Rev-01)

2/2 & 3/2 Way Pneumatic Cylinder Operated "PHC" Model Control Valve

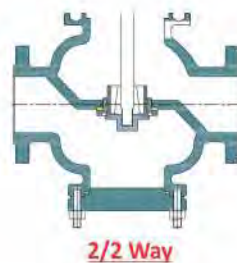
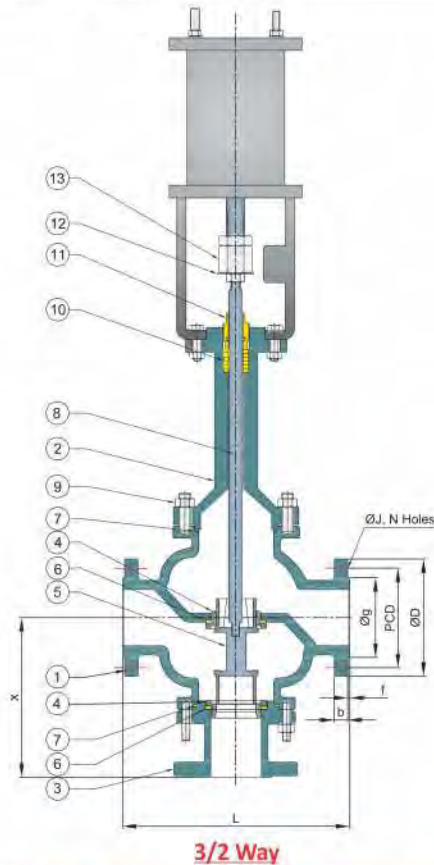


"aira" Offers 2/2 - 3/2 way pneumatic Cylinder operated control valve for thermic fluid & High Temperature Application Upto 450 °C

Size Range : 1/2" to 4" Flanged

Cylinder Specification	
Type	Single Acting Cylinder
Barrel	Aluminium
Shaft	EN 8 Hard Chrome Plated
Seals	Buna - N
End Cover	Cast Iron
Working Pressure	4.5 Kg/cm ²

Valve Specification	
Type of Valve	Globe Type 2/2 & 3/2 Way
Trim / Plug	S. S. 304
Working Pressure	7 Kg/cm ²
Working Temperature	Upto 450 °C Max.
Plug Design	On - Off Type
Testing Code	FCI 70.2
End Connection	ASME B16.5
Leakage Class	Class IV
Type of Bonnet	Extended Bonnet



Sr. No.	Description	Material
1	Body	WCB
2	Bonnet	WCB
3	Tail Piece / Cover Plate	WCB
4	Seat Ring	S. S. 304
5	Plug	S. S. 304
6	Seat Gasket	S. S. 304 Spiral Wound
7	Body Gasket	S. S. 304 Spiral Wound
8	Stem	S. S. 304
9	Stud + Nut	ASTM A 193 / B7-2H
10	Stem Packing	Wire Braided Graphite
11	Gland Nut	S. S. 304
12	Travel Indicator	S. S. 202
13	Connecting Nut	S. S. 304

Dimensions :

VALVE MODEL	Size		L	PCD	Øg	ØD	b	f	ØJ	N	*X
	MM	Inch									
PHC - 15	15	1/2"	184	60.3	34.9	90	8	2	15.9	4	145
PHC - 20	20	3/4"	184	69.9	42.9	100	8.9	2	15.9	4	145
PHC - 25	25	1"	184	79.4	50.8	110	9.6	2	15.9	4	145
PHC - 40	40	1.1/2"	222	98.4	73	125	12.7	2	15.9	4	160
PHC - 50	50	2"	254	120.7	92.1	150	14.3	2	19.05	4	180
PHC - 65	65	2.1/2"	276	139.7	104.8	180	15.9	2	19.05	4	205
PHC - 80	80	3"	298	152.4	127	190	17.5	2	19.05	4	205
PHC - 100	100	4"	352	190.5	157.2	230	22.3	2	19.05	8	240

* "X" Dimension only 3/2 Way Valve

(All Dimensions are in mm)

Pub. on : May, 2019 (Rev-01)

2/2 & 3/2 Way Pneumatic Diaphragm Operated "PKL" Model Low Temperature On/Off Control Valve



"aira" Offers 2/2 - 3/2 way pneumatic diaphragm operated on/off 220 °C Control Valve.

Size Range : 1/2" to 6" Flanged

Diaphragm Actuator Specification

Actuator	Diaphragm type Single Acting
Working Pressure	2.5 to 3.5 Kg/cm ²

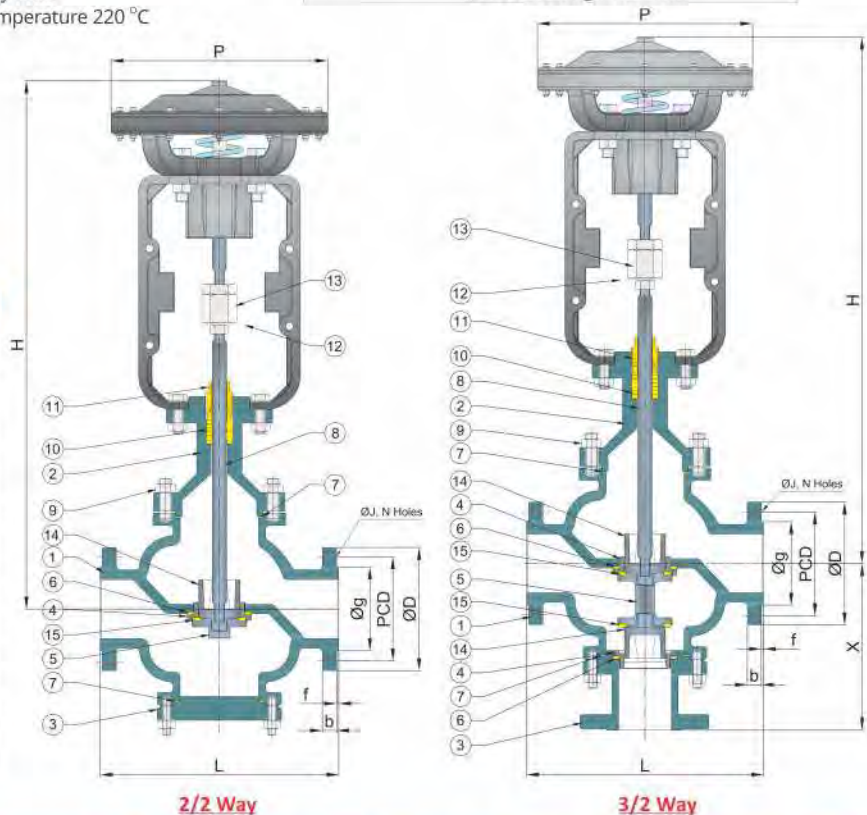
Valve Specification

Trim Design	Quick Opening
Characteristic	ON - OFF
End Connection	Flanged end ASME B 16.5 CL 150 (300 / 600 Available On Request)
Pressure Rating	7 Kg/cm ²
Temperature	Upto 220 °C Max.
Leakage	ASME B16.104 CL VI for Soft Seating / FCI 70.2

Salient Features

- Excellent for On / Off Application
- Long Lasting Diaphragm material
- Easy maintenance
- Economy Price
- High Temperature 220 °C

Sr. No.	Description	Material
1	Body	WCB
2	Bonnet	WCB
3	Tail Piece / Cover Plate	WCB
4	Seat Ring	S. S. 304
5	T. S. Guide	S. S. 304
6	Seat Gasket	S. S. 304 Spiral Wound
7	Body Gasket	S. S. 304 Spiral Wound
8	Stem	S. S. 304
9	Stud + Nut	ASTM A 193 / B7-2H
10	Stem Packing	Wire Braided Graphite
11	Gland Nut	S. S. 304
12	Travel Indicator	S. S. 202
13	Connecting Nut	S. S. 304
14	T. S. Plug	S. S. 304
15	Seat	CFT



Dimensions :

VALVE MODEL	Size		H	P	L	PCD	Øg	ØD	b	f	ØJ	N	X	Investment Casting Weight Approx.		Sand Casting Weight Approx.	
	MM	Inch												2 Way	3 Way	2 Way	3 Way
PKL - 15	15	1/2"	520	222	184	60.3	34.9	90	8	2	15.9	4	145	14	15	20	22
PKL - 20	20	3/4"	520	222	184	69.9	42.9	100	8.9	2	15.9	4	145	14	15	20	22
PKL - 25	25	1"	520	222	184	79.4	50.8	110	9.6	2	15.9	4	145	16	17	20	22
PKL - 40	40	1.1/2"	520	222	222	98.4	73	125	12.7	2	15.9	4	160	19	21	24	26
PKL - 50	50	2"	560	222	254	120.7	92.1	150	14.3	2	19.05	4	180	24	26	32	32
PKL - 65	65	2.1/2"	677	296	276	139.7	104.8	180	15.9	2	19.05	4	205	35	38	56	58
PKL - 80	80	3"	677	296	298	152.4	127	190	17.5	2	19.05	4	205	40	43	72	75
PKL - 100	100	4"	680	296	352	190.5	157.2	230	22.3	2	19.05	8	240	51	56	90	94
PKL - 150	150	6"	680	296	451	241.3	215.9	280	23.9	2	22.2	8	320	On Req.	On Req.	On Req.	On Req.

* "X" Dimension only 3/2 Way Valve

(All Dimensions are in mm)

Pub. on : May, 2019 (Rev-01)

2/2 & 3/2 Way Pneumatic Diaphragm Operated "PKH" Model High Temperature On/Off Control Valve



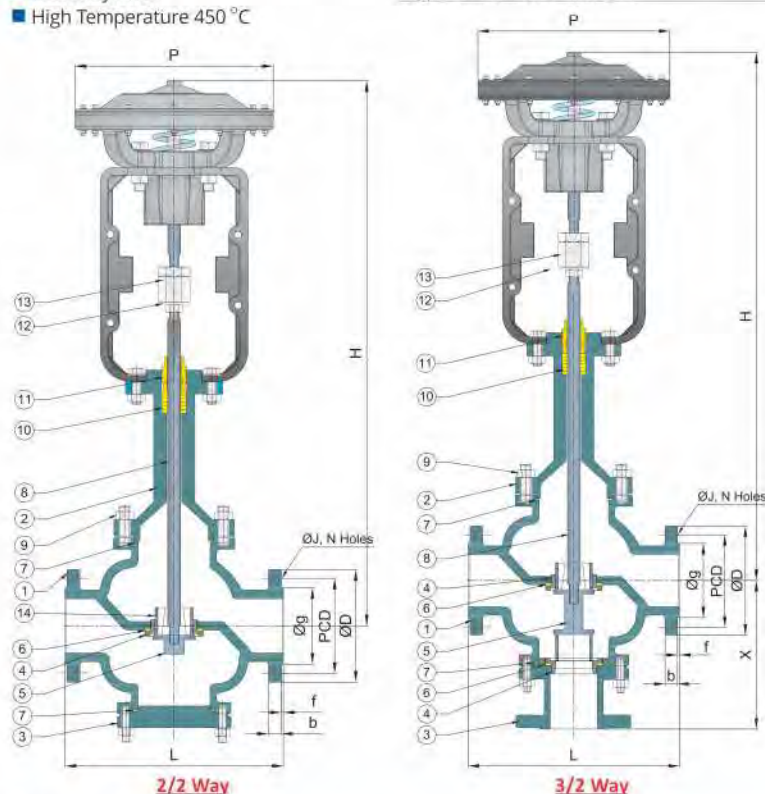
"aira" Offers 2/2 - 3/2 way pneumatic diaphragm operated on/off 450 °C Valve for thermic fluid & High Temperature Application.

Size Range : 1/2" to 6" Flanged

Diaphragm Actuator Specification		Valve Specification	
Actuator	Diaphragm type Single Acting	Trim Design	Quick Opening
Working Pressure	2.5 to 3.5 Kg/cm ²	Characteristic	ON - OFF
		End Connection	Flanged end ASME B 16.5 CL 150 (300 / 600 Available On Request)
		Pressure Rating	7 Kg/cm ²
		Temperature	Upto 450 °C Max.
		Leakage	ASME B16.104 CL IV for Metal to Metal / FCI 70.2
		Type Of Bonnet	Extended

Salient Features

- Excellent for On / Off Application
- Long Lasting Diaphragm material
- Easy maintenance
- Economy Price
- High Temperature 450 °C



Sr. No.	Description	Material
1	Body	WCB / CF8 / CF8M
2	Bonnet	WCB / CF8 / CF8M
3	Tail Piece / Body Cover	WCB / CF8 / CF8M
4	Seat Ring	S. S. 304
5	T. S. Guide	S. S. 304
6	Seat Gasket	S. S. 304 Spiral Wound
7	Body Gasket	S. S. 304 Spiral Wound
8	Stem	S. S. 304
9	Stud + Nut	ASTM A193 / B7-2H
10	Stem Packing	Wire Braided Graphite
11	Gland Nut	S. S. 304
12	Travel Indicator	S. S. 302
13	Connecting Nut	S. S. 304
14	T. S. Plug	S. S. 304

Dimensions :

VALVE MODEL	Size		H	P	L	PCD	Øg	ØD	b	f	ØJ	N	X	Investment Casting		Sand Casting	
	MM	Inch												Weight Approx.	Weight Approx.	2 Way	3 Way
PKH - 15	15	1/2"	620	222	184	60.3	34.9	90	8	2	15.9	4	145	14	16	20	22
PKH - 20	20	3/4"	620	222	184	69.9	42.9	100	8.9	2	15.9	4	145	14	16	20	22
PKH - 25	25	1"	620	222	184	79.4	50.8	110	9.6	2	15.9	4	145	17	18	20	22
PKH - 40	40	1.1/2"	620	222	222	98.4	73	125	12.7	2	15.9	4	160	20	21	24	26
PKH - 50	50	2"	660	222	254	120.7	92.1	150	14.3	2	19.05	4	180	25	26	31	33
PKH - 65	65	2.1/2"	800	296	276	139.7	104.8	180	15.9	2	19.05	4	205	36	39	57	59
PKH - 80	80	3"	800	296	298	152.4	127	190	17.5	2	19.05	4	205	41	44	73	76
PKH - 100	100	4"	840	296	352	190.5	157.2	230	22.3	2	19.05	8	240	52	54	92	95
PKH - 150	150	6"	990	296	451	241.3	215.9	280	23.9	2	22.2	8	320	---	---	On Req.	On Req.

* "X" Dimension only 3/2 Way Valve

(All Dimensions are in mm)

Pub. on : May, 2019 (Rev-01)

www.airaindia.com / www.airaeuro.com

24

2/2 & 3/2 Way Pneumatic Diaphragm Operated "CKD" Model Low Temperature Control Valve Upto 220 °C



"aira" Offers 2/2 - 3/2 way pneumatic diaphragm operated precise Regulating design on/off valve for thermic fluid & Low Temperature Application.

Size Range : 1/2" to 12" Flanged

Valve Specification

Trim Design	Contoured Parabolic / Cage Guided / Pressure Balanced
Characteristic	Liner / Equal Percentage / ON - OFF (Quick Opening)
End Connection	Flanged end ASME B 16.5 CL 150 (300 / 600 Available On Request)
Pressure Rating	ASME B 16.5 CL 150 / 300 / 600
Temperature	Upto 220 °C Max.
Leakage	ASME B16.104 V to VI / FCI 70.2

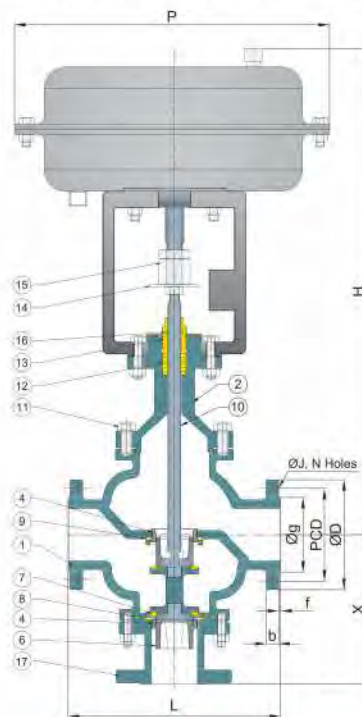
IBR APPROVED
High Pressure On Request.

Salient Features

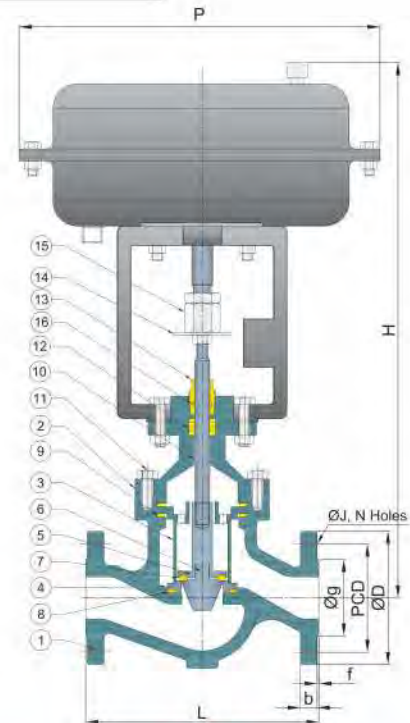
- Precise Regulation with High flow capacity
- Large type of trim top operating designs for various duty conditions
- In line repairable design for easy maintenance
- Tight closure even in extreme operating conditions
- Multi action type actuator (Direct / Reverse acting)
- Wide range of actuators to meet different application

Accessories

- 3/2 Way Solenoid Valve in all Standard Coil Voltage (Flame Proof Solenoid Coil - On Request)
- Pneumatic & Electro - Pneumatic Valve Positioner
- Manual Over - Ride (Clutch Type)
- Limit Switch for On / Off Indication at Panel Board
- Filter + Regulator Combination with Pressure Gauge
- Air Lock Valve



3/2 Way



2/2 Way

Sr. No.	Description	Material
1	Body	WCB / CF8 / CF8M
2	Bonnet	WCB / CF8 / CF8M
3	Cage	WCB / CF8 / CF8M
4	Seat Ring	S. S. 304 / S. S. 316
5	T. S. Guide	S. S. 304 / S. S. 316
6	T. S. Plug	S. S. 304 / S. S. 316
7	Teflon	CFT
8	Seat Gasket	S. S. 304 Spiral Wound
9	Body Gasket	S. S. 304 Spiral Wound
10	Stem	S. S. 304 / S. S. 316
11	Bolt + Washer	ASTM A193 / BH-2H
12	Stem Packing	Wire Braided Graphite
13	Gland Nut	S. S. 304 / S. S. 316
14	Travel Indicator	S. S. 202
15	Connecting Nut	S. S. 304
16	Stem Seal	Viton
17	Tail Piece	WCB / CF8 / CF8M

Dimensions :

VALVE MODEL	Size		H	P	L 150#	L 300#	*X	Investment Casting Weight Approx.		Sand Casting Weight Approx.	
	MM	Inch						2 Way	3 Way	2 Way	3 Way
CKD - 15	15	1/2"	425	288	184	190	145	15	17	18	22
CKD - 20	20	3/4"	430	288	184	194	145	15	17	18	22
CKD - 25	25	1"	455	288	184	197	145	15	19	18	22
CKD - 32	32	1.1/4"	460	288	**	235	160	---	---	---	---
CKD - 40	40	1.1/2"	470	288	222	235	160	20	23	24	26
CKD - 50	50	2"	485	288	254	267	180	22	28	28	32
CKD - 65	65	2.1/2"	535	376	276	292	205	48	54	54	58
CKD - 80	80	3"	545	376	298	317	205	49	59	58	75
CKD - 100	100	4"	615	376	352	368	240	60	72	100	94
CKD - 150	150	6"	815	475	451	473	320	---	---	166	190
CKD - 200	200	8"	875	594	543	568	385	---	---	331	320
CKD - 250	250	10"	---	---	673	708	440	---	---	372	495
CKD - 300	300	12"	---	---	737	775	On Req.	---	---	401	---

* "X" Dimension only 3/2 Way Valve

** Only 2 Way 200mm & 3 Way On Request.

(All Dimensions are in mm)

Note : Please refer page no 11 for Flange Dimensions for Control Valve

Pub. on : May, 2019 (Rev-01)

2/2 & 3/2 Way Pneumatic Diaphragm Operated "CND" Model High Temperature Control Valve Upto 450 °C



"aira" Offers 2/2 - 3/2 way pneumatic diaphragm operated precise Regulating design on/off valve for thermic fluid & High Temperature Application.

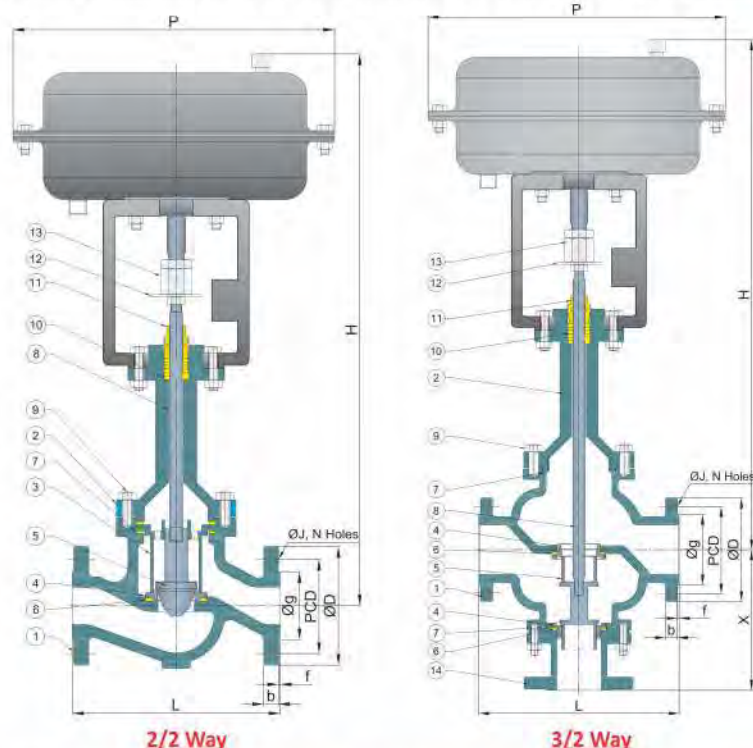
Size Range : 1/2" to 12" Flanged

Valve Specification	
Trim Design	Contoured Parabolic / Cage Guided / Pressure Balanced
Characteristic	Liner / Equal Percentage / ON - OFF (Quick Opening)
End Connection	Flanged end ASME B 16.5 CL 150 (300 / 600 Available On Request)
Pressure Rating	ASME B 16.5 CL 150 / 300 / 600
Temperature	Upto 450 °C Max.
Leakage	ASME B16.104 CL IV for Metal to Metal Seating / FCI - 70.2



IBR APPROVED

High Pressure On Request.



Salient Features

- Precise Regulation with High flow capacity
- Large type of trim top operating designs for various duty conditions
- In line repairable design for easy maintenance
- Tight closure even in extreme operating conditions
- Multi action type actuator (Direct / Reverse acting)
- Wide range of actuators to meet different application

Accessories

- 3/2 Way Solenoid Valve in all Standard Coil Voltage (Flame Proof Solenoid Coil - On Request)
- Pneumatic & Electro - Pneumatic Valve Positioner
- Manual Over - Ride (Clutch Type)
- Limit Switch for On / Off Indication at Panel Board
- Filter + Regulator Combination with Pressure Gauge
- Air Lock Valve

Sr. No.	Description	Material
1	Body	WCB / CF8 / CF8M
2	Bonnet	WCB / CF8 / CF8M
3	Cage	WCB / CF8 / CF8M
4	Seat Ring	S. S. 304 / S. S. 316
5	Plug	S. S. 304 / S. S. 316
6	Seat Gasket	S. S. 304 Spiral Wound
7	Body Gasket	S. S. 304 Spiral Wound
8	Stem	S. S. 304 / S. S. 316
9	Bolt + Washer	ASTM A193 / BH-2H
10	Stem Packing	Wire Braided Graphite
11	Gland Nut	S. S. 304 / S. S. 316
12	Travel Indicator	S. S. 202
13	Connecting Nut	S. S. 304
14	Tail Piece	WCB / CF8 / CF8M

Dimensions :

VALVE MODEL	Size		H	P	L 150#	L 300#	*X	Investment Casting		Sand Casting	
	MM	Inch						Weight Approx. 2 Way	Weight Approx. 3 Way	Weight Approx. 2 Way	Weight Approx. 3 Way
CND - 15	15	1/2"	425	288	184	190	145	15	18	18	22
CND - 20	20	3/4"	430	288	184	194	145	15	18	18	22
CND - 25	25	1"	455	288	184	197	145	16	20	18	22
CND - 32	32	1.1/4"	460	288	**	235	160	---	---	---	---
CND - 40	40	1.1/2"	470	288	222	235	160	19	25	24	26
CND - 50	50	2"	485	288	254	267	180	24	28	28	32
CND - 65	65	2.1/2"	665	376	276	292	205	48	55	54	58
CND - 80	80	3"	705	376	298	317	205	49	60	58	75
CND - 100	100	4"	725	376	352	368	240	60	70	95	94
CND - 150	150	6"	990	475	451	473	320	---	---	166	185
CND - 200	200	8"	1050	594	543	568	385	---	---	331	320
CND - 250	250	10"	---	---	673	708	440	---	---	372	495
CND - 300	300	12"	---	---	737	775	On Req.	---	---	401	---

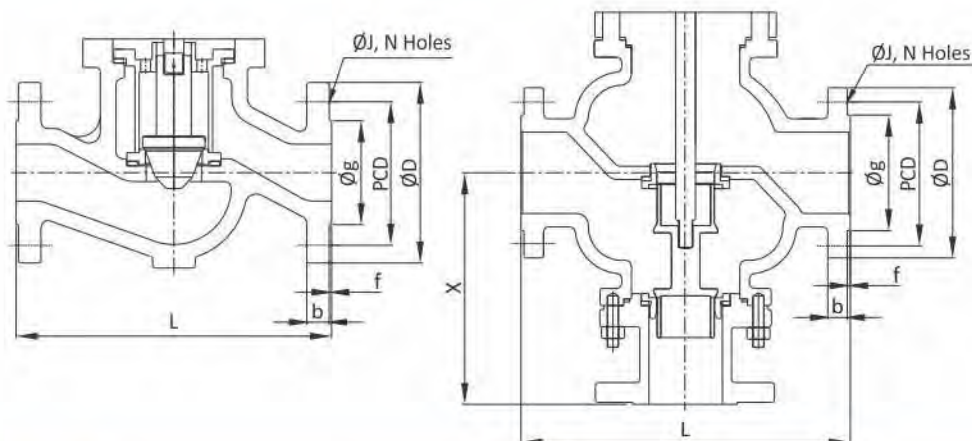
(All Dimensions are in mm)

* "X" Dimension only 3/2 Way Valve / ** Only 2 Way 200mm & 3 Way On Request.

Note : Please refer page no 11 for Flange Dimensions for Control Valve

Pub. on : May, 2019 (Rev-01)

CKD / CND Model Flange Dimensions Table



Dimensions :

VALVE MODEL	Size		150# Dimensions Table								
	MM	Inch	L	PCD	Øg	ØD	b	f	ØJ	N	X
CKD / CND - 15	15	1/2"	184	60.3	34.9	90	8	2	15.9	4	145
CKD / CND - 20	20	3/4"	184	69.9	42.9	100	8.9	2	15.9	4	145
CKD / CND - 25	25	1"	184	79.4	50.8	110	9.6	2	15.9	4	145
CKD / CND - 32	32	1.1/4"	**	88.9	63.5	115	11.2	2	15.9	4	160
CKD / CND - 40	40	1.1/2"	222	98.4	73	125	12.7	2	15.9	4	160
CKD / CND - 50	50	2"	254	120.7	92.1	150	14.3	2	19.05	4	180
CKD / CND - 65	65	2.1/2"	276	139.7	104.8	180	15.9	2	19.05	4	205
CKD / CND - 80	80	3"	298	152.4	127	190	17.5	2	19.05	4	205
CKD / CND - 100	100	4"	352	190.5	157.2	230	22.3	2	19.05	8	240
CKD / CND - 150	150	6"	451	241.3	215.9	280	23.9	2	22.2	8	320
CKD / CND - 200	200	8"	543	298.5	269.9	345	27	2	22.2	8	385
CKD / CND - 250	250	10"	673	362	323.8	405	28.6	2	25.4	12	440
CKD / CND - 300	300	12"	737	431.8	381	485	30.2	2	25.4	12	On Req.

* "X" Dimension only 3/2 Way Valve

(All Dimensions are in mm)

** Only 2 Way 200mm & 3 Way On Request.

Dimensions :

VALVE MODEL	Size		300# Dimensions Table								
	MM	Inch	L	PCD	Øg	ØD	b	f	ØJ	N	X
CKD / CND - 15	15	1/2"	190	66.7	34.9	95	12.7	2	15.9	4	145
CKD / CND - 20	20	3/4"	194	82.6	42.9	115	14.3	2	19.05	4	145
CKD / CND - 25	25	1"	197	88.9	50.8	125	15.9	2	19.05	4	145
CKD / CND - 32	32	1.1/4"	**	98.4	63.5	135	17.5	2	19.05	4	160
CKD / CND - 40	40	1.1/2"	235	114.3	73	155	19.1	2	22.2	4	160
CKD / CND - 50	50	2"	267	127	92.1	165	20.7	2	19.05	8	180
CKD / CND - 65	65	2.1/2"	292	149.2	104.8	190	23.9	2	22.2	8	205
CKD / CND - 80	80	3"	317	168.3	127	210	27	2	22.2	8	205
CKD / CND - 100	100	4"	368	200	157.2	255	30.2	2	22.2	8	240
CKD / CND - 150	150	6"	473	269.9	215.9	320	35	2	22.2	12	320
CKD / CND - 200	200	8"	568	330.2	269.9	380	39.7	2	25.4	12	385
CKD / CND - 250	250	10"	708	387.4	323.8	445	46.1	2	28.6	16	440
CKD / CND - 300	300	12"	775	450.8	381	520	49.3	2	31.75	16	On Req.

* "X" Dimension only 3/2 Way Valve

(All Dimensions are in mm)

** Only 2 Way 235mm & 3 Way On Request.

Pub. on : May, 2019 (Rev-01)

2/2 & 3/2 Way Pneumatic Diaphragm Operated "LDB" Model On / Off Type Control Valve Upto 180 °C



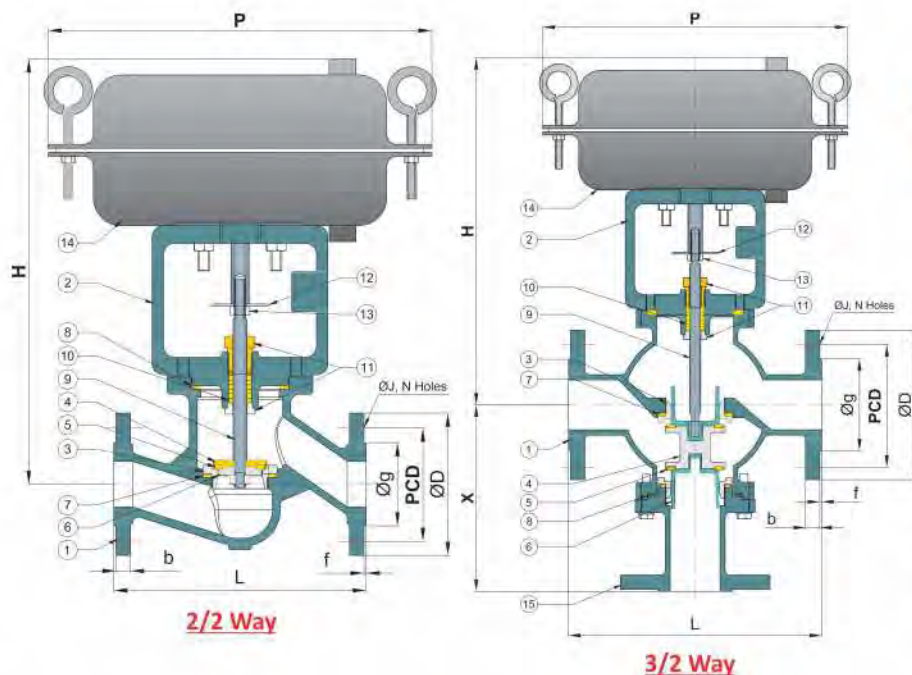
"aira" Offers 2/2 - 3/2 way pneumatic diaphragm operated On / Off Control Valve for Low Temperature Application.

Size Range : 1/2" to 2" Flanged

Valve Specification	
Trim Design	On - Off / Modulating
Characteristic	Liner / Equal / Percentage / On - Off
End Connection	Flanged end ASME B 16.5 CL 150
Pressure Rating	ASME B 16.5 CL 150
Temperature	Upto 180 °C Max.
Leakage	ASME B16.104 IV to VI

Salient Features

- Low height Bonnet for Cramped Space
- Large type of trim top operating design for quick opening design for fast on - off application
- Modulating design available as per option
- Multi action actuator Direct / Reverse acting



Sr. No.	Description	Material
1	Body	WCB / CF8 / CF8M
2	Bonnet / Yoke	WCB / CF8 / CF8M
3	Seat Ring	S. S. 304
4	TS Guide	S. S. 304
5	CFT Seat	CFT
6	Plug	S. S. 304
7	Seat Gasket	S. S. 304
8	Body Gasket	S. S. 304
9	Stem	S. S. 304
10	Stem Packing	Wire Braided Graphite
11	Gland Nut	S. S. 304
12	Travel Indicator	S. S. 202
13	Lock Nut	S. S. 304
14	Actuator	STD.
15	Tail Piece	WCB / CF8 / CF8M

Dimensions :

Valve Model	Size	2 Way 3 Way		2 & 3 Way 150# Dimension Table										
		H	H	L	ØD	Øg	PCD	b	f	ØJ	N	P	*X	
LDB - 15	1/2"	15	321.5	331.5	184	90	34.9	60.3	8	2	15.9	4	222	145
LDB - 20	3/4"	20	321.5	331.5	184	100	42.9	69.9	8.9	2	15.9	4	222	145
LDB - 25	1"	25	321.5	331.5	184	110	50.8	79.4	9.6	2	15.9	4	222	145
LDB - 40	1.1/2"	40	355	346	222	125	73	98.4	12.7	2	15.9	4	222	160
LDB - 50	2"	50	360.5	355.5	254	150	92.1	120.7	14.3	2	19.05	4	222	180

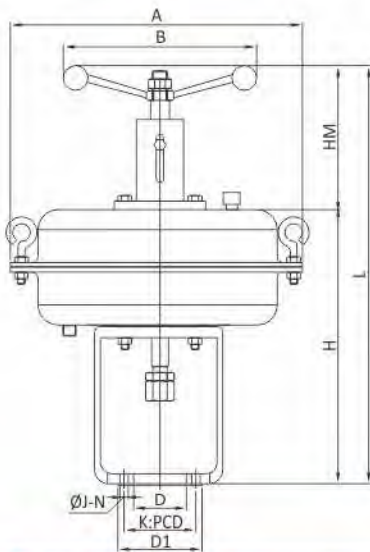
* "X" Dimension only 3/2 Way Valve

(All Dimensions are in mm)

Pub. on : May, 2019 (Rev-01)

www.airaindia.com / www.airaeuro.com

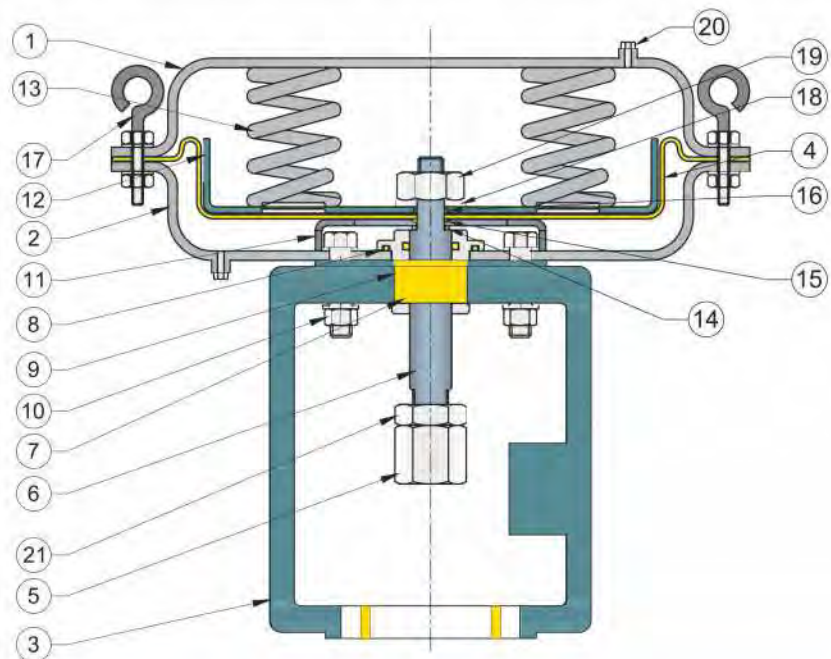
Pneumatic Diaphragm Actuator



Diaphragm Specification

Inlet Air Supply	2.5 to 4 Kg/cm ²
Stem Movement	Linear
Actuator Action	Direct Acting / Reverse Acting
Air Fail Position	Stem Extended / Stem Retracted

Type	Diaphragm Area	Spring	Maximum Stroke (mm)	Air Pressure (Bar)	Max Thrust (N)	Volume (Ltrs / Stroke)
DA - CND - 02	Direct	4 ~ 8	24 - 30	2.4 ~ 4	5200	1.77
	Reverse			0	920	
DA - CND - 03	Direct	3 ~ 6	38 - 45	2.4 ~ 4	7800	4.18
	Reverse			0	720	
DA - CND - 04	Direct	4 ~ 8	55 - 65	2.4 ~ 4	11000	8.93
	Reverse			0	3840	
DA - CND - 05	Direct	On Request	65 - 90	2.4 ~ 4	On Request	On Request
	Reverse			0		
DA - CND - 06	Direct	3 ~ 6	100 - 120	2.4 ~ 4	15000	27.07
	Reverse			0	5000	



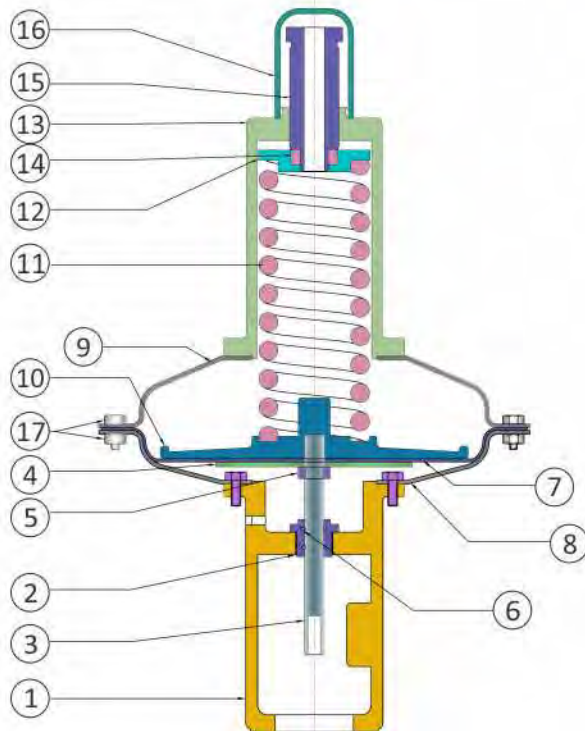
Sr. No.	Description	Material
1	Top Cover	M. S.
2	Bottom Cover	M. S.
3	Yoke	S. G. Iron
4	Diaphragm	Nitrile Rubber
5	Connecting Nut	S. S. 304
6	Stem	S. S. 304
7	Stem Seal	Viton
8	Seal For Bearing Bush	Viton
9	Bearing Bush	Aluminium
10	Bolt, Nut For Yoke	M. S.
11	Pressure Plate	M. S.
12	Spring Plate	M. S.
13	Spring	Spring Steel
14	'O' - Ring	Viton
15	'O' - Ring	Viton
16	'O' - Ring	Viton
17	Lifting Hook Nut, Washer	M. S.
18	Spring Washer	S. S.
19	Stem Lock Nut	S. S.
20	Silener	Plastic
21	Check Nut	S. S. 304

Technical Parameter of Actuators

Valve Model	Size								Valve Size
	D	D1	ØI - N	K.P.C.D	H	HM	A	B	
DA - CND - 02	60	105	9 - 4	80	300	----	288	----	DN15 - DN50
DA - CND - 03	80	135	12 - 4	105	330	----	376	----	DN65 - DN100
DA - CND - 04	95	158	12 - 4	120	510	----	475	----	DN125 - DN150
DA - CND - 05	90	177	14 - 4	140	850	----	620	----	DN200 - DN300
DA - CND - 06	100	197	14 - 8	140	710	----	594	----	DN200 - DN300
MO-DA - CND - 02	60	105	9 - 4	80	----	230	288	300	DN15 - DN50
MO-DA - CND - 03	80	135	12 - 4	105	----	270	376	300	DN65 - DN100
MO-DA - CND - 04	95	158	12 - 4	120	----	310	475	400	DN125 - DN150
MO-DA - CND - 06	100	197	14 - 8	140	----	310	594	595	DN200 - DN300

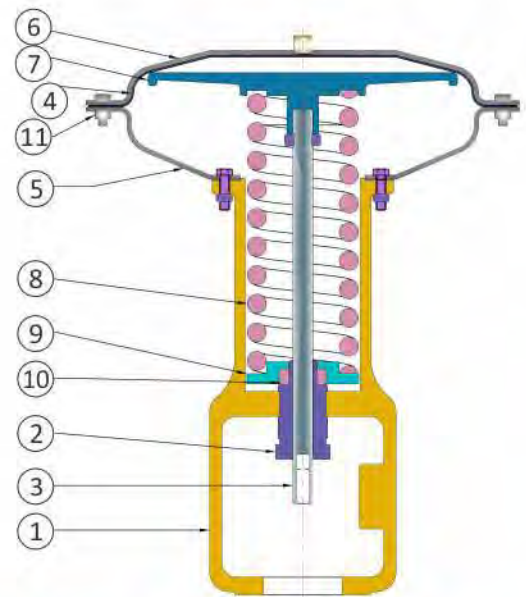
Pub. on : May, 2019 (Rev-01)

"SM" Model Pneumatic Diaphragm Actuator (Direct Acting (DA) / Reverse Acting (RA))



Reverse Acting

Sr. No.	Description	Material
1	Yoke	S. G. Iron
2	Bearing Bush	Aluminium
3	Shaft	S. S. 304
4	Diaphragm Locking Washer	M. S.
5	Diaphragm Lock Nut	S. S. 304
6	'O' - Ring	NBR
7	Diaphragm	Nitrile with Canvas Insert
8	Bottom Cover	M. S.
9	Top Cover	M. S.
10	Spring Plate	S. G. Iron
11	Spring	Spring Steel
12	Spring Guide	M. S.
13	Guide Bearing	STD.
14	Spring Barrel	S. G. Iron
15	Adjusting Screw	M. S.
16	Adjusting Cover	S. G. Iron
17	Nut + Washer	STD.



Direct Acting

Sr. No.	Description	Material
1	Yoke	S. G. Iron
2	Adjusting Nut	M. S.
3	Shaft	S. S. 304
4	Diaphragm	Nitrile with Canvas Insert
5	Bottom Cover	M. S.
6	Top Cover	M. S.
7	Spring Plate	S. G. Iron
8	Spring	Spring Steel
9	Spring Guide	M. S.
10	Guide Bearing	STD.
11	Nut + Washer	S. S. 202

Pub. on : May, 2019 (Rev-01)

Pneumatic Cylinder Operated Knife Gate Valve

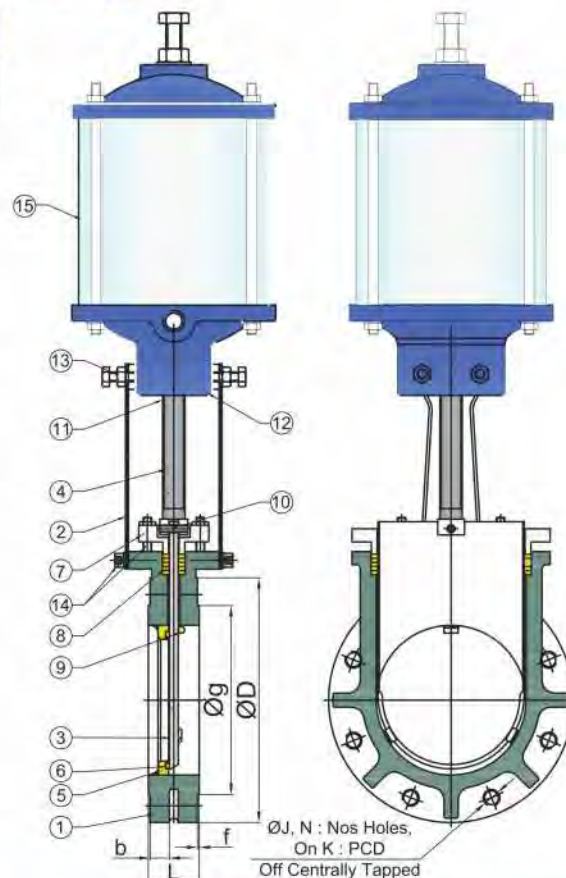


"aira" Offers Pneumatic Cylinder Operated Knife Edge Design Gate Valve is BI - DIRECTION / UNI - DIRECTION type design valve, Valve design according to MSS - SP - 81. Are solution to Pulp & Paper, Waste Water, Food & Beverage, Power Plants, Mining, Chemical Plants, Heavy Fluid On / Off Problems in paper Industries.

Size Range : 2" to 24" Lug Type

Test Pressure

Testing	Body	Seat
Hydraulic	5 Kg/cm ²	2.8 Kg/cm ²



Standard

- Mfg. Std. : Generally Confirming To MSS - SP - 81
- Inspection & Testing Std. : Generally Confirming To MSS - SP - 81
: Class IV to V
- Leakage Class : Wafer to suit ASME B16.5 150# / Lug Type
- Ends : Suitable for BS 10 Table "D" / ANSI B 16.1 (125#)

Accessories

- All Standard Coil Voltage (Flame Proof Solenoid Coil - On Request)
- Pneumatic & Electro - Pneumatic Valve Positioner
- Decutchable Manual Over - Ride
- Limit Switches
- Filter + Regulator Combination with Pressure Gauge
- Single Solenoid Valve

Dimensions :

Valve Model	Size		L	ØD	Øg	b	f	ØJ	N	PCD	Weight (Approx.)
	Inch	MM									
PV-50-D	2"	50	48	----	92.2	15	2	5/8"	4	120.7	14.600
PV-65-D	2.1/2"	65	48	----	104.8	17	2	19.05	4	139.7	18.600
PV-80-D	3"	80	51	190.5	127	15	2	5/8"	4	152.4	21.300
PV-100-D	4"	100	51	228.6	157.23	15	2	5/8"	8	190.5	26.500
PV-125-D	5"	125	58	----	185.7	22	2	3/4"	8	215.9	72.700
PV-150-D	6"	150	58	279.4	216	22	2	3/4"	8	241.3	45.000
PV-200-D	8"	200	70	342.9	269.75	24.5	2	3/4"	8	298.45	55.000
PV-250-D	10"	250	70	406.4	323.85	24.5	2	7/8"	12	361.95	116.000
PV-300-D	12"	300	76	482.6	381	24.5	2	7/8"	12	431.8	137.000
PV-350-D	14"	350	76	533.4	412.75	25	2	1"	12	476.5	224.000
PV-400-D	16"	400	76	596.9	469.9	25	2	1"	16	539.75	280.000
PV-450-D	18"	450	89	635	533.4	30	2	1.1/8"	16	577.85	305.000
PV-500-D	20"	500	114	698.5	584.2	35	2	1.1/8"	20	635	375.000
PV-600-D	24"	600	114	812.8	692.15	35	2	1.1/4"	20	749.3	----

(All Dimensions are in mm)

Sr. No.	Description	Material
1	Body	WCB / CF8 / CF8M / Cast Iron
2	Yoke ARMS	M. S.
3	Gate	S. S. 410 / S. S. 304 / 316
4	Stem	AISI 410 / S. S. 304
5	Seat Ring	S. S. 410 / S. S. 304 / 316
6	'D' Ring	PTFE / M to M / EPDM
7	Gland	WCB / S. S. 304
8	Packings	PTFE - Impregnated Asbestos Layered with Moulded Rubber
9	Gate Guides	AISI 410 / S. S. 304
10	Hings Pin (Slotted Type)	Std.
11	Yoke Sleeve	S. G. Iron
13	Sleeve Housing	ASTM A216 Gr. WCB
14	Fasteners	Carbon Steel
15	Pneumatic Cylinder	Std.

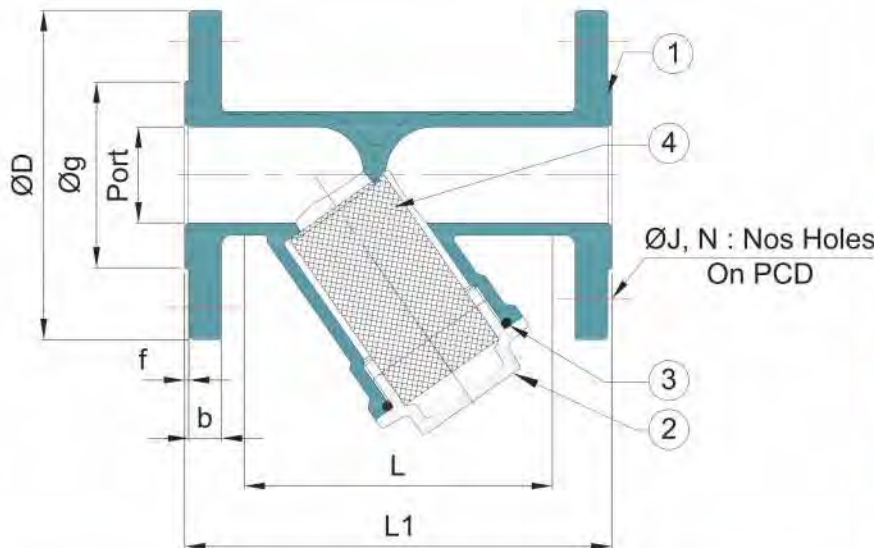
Pub. on : May, 2019 (Rev-01)

Y Type Strainer

"aira" Offers y type strainers option for use in any type of industrial applications. especially in applications where corrosive media are used. y type strainers provides excellent filtration to help prevent damage to valves, meters, etc. from rust & dirt, without sacrificing high flow characteristics.

Size Range : 1/2" to 2" Screwed / Flanged

Technical Specification	
Mesh	40 (20 / 60 / 80 / 100 / 120 On Request)
Pressure	12 Kg/cm ²
Temperature	220 °C
Media	Air, Water, Oil, Gas & Steam
Ends	Screwed / Flanged



Sr. No.	Description	Material
1	Body	CF8 / CF8M / CF3M
2	Plug	CF8 / CF8M / CF3M
3	'O' Ring	High Nitrile
4	Mesh	S. S. 304 / S. S. 316

Dimensions :

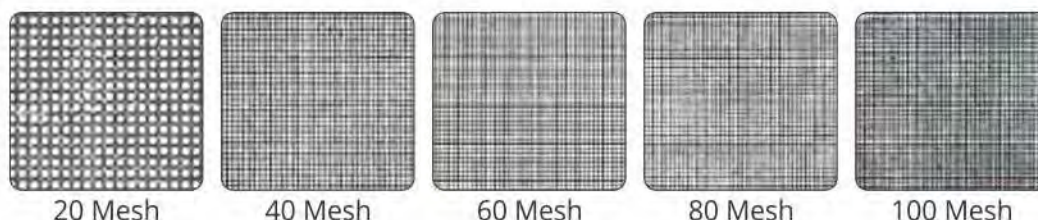
Valve Model	Size		L
	Inch	MM	
SRJ - 15	1/2"	15	58.5
SRJ - 20	3/4"	20	69.3
SRJ - 25	1"	25	86.4
SRJ - 32	1.1/4"	32	95.6
SRJ - 40	1.1/2"	40	106.2
SRJ - 50	2"	50	125.5

(All Dimensions are in mm)

Dimensions :

Valve Model	Size		SRD Model Flange Dimensions								SRF Model Flange Dimensions									
	Inch	MM	L1	Port	ØD	Øg	b	f	ØJ	N	PCD	L1	Port	ØD	Øg	b	f	ØJ	N	PCD
SRD / SRF - 15	1/2"	15	107.9	12.5	90	34.9	8	2	15.9	4	60.3	130.6	12.5	88	34.9	8	1.6	15.09	4	60.3
SRD / SRF - 20	3/4"	20	117.3	17	100	42.9	8.9	2	15.9	4	69.9	151	19	98	42.9	7.5	1.6	15.09	4	69.9
SRD / SRF - 25	1"	25	127	24	110	50.8	9.6	2	15.9	4	79.4	161.5	25	107.9	50.8	8.65	1.6	15.09	4	79.4
SRD / SRF - 32	1.1/4"	32	139.7	30	115	63.5	11.2	2	15.9	4	88.9	---	---	---	---	---	---	---	---	---
SRD / SRF - 40	1.1/2"	40	165.1	37	125	3	12.7	2	15.9	4	98.4	190	38	127	73	8.65	1.6	15.9	4	98.4
SRD / SRF - 50	2"	50	178	49	150	92.1	14.3	2	19.05	4	120.7	230	49	152.4	92.1	8.65	1.6	15.9	4	120.7

(All Dimensions are in mm)



Pub. on : May, 2019 (Rev-01)

Y Type Strainer Bolted Design



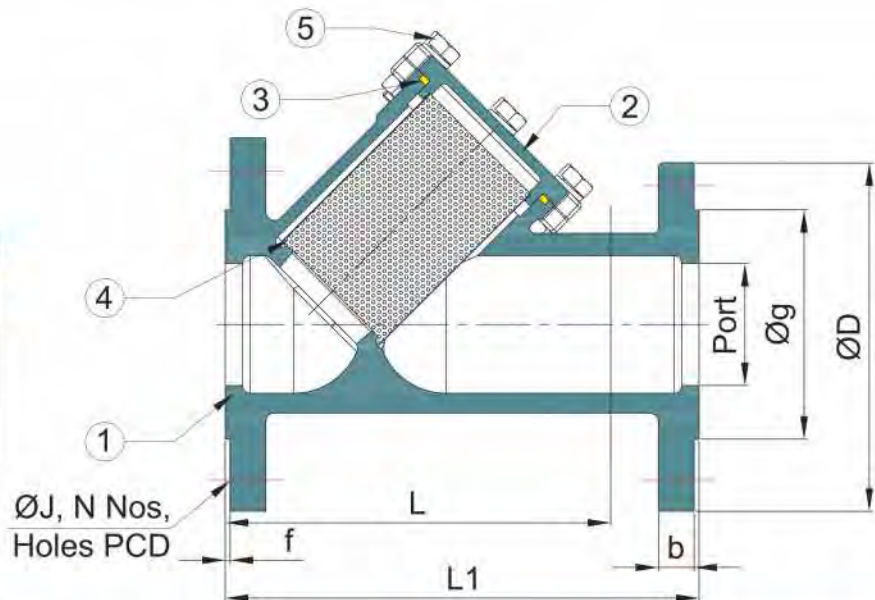
"aira" Offers y type strainers option for use in any type of industrial applications. especially in applications where corrosive media are used. y type strainers provides excellent filtration to help prevent damage to valves, meters, etc. from rust & dirt, without sacrificing high flow characteristics.

Size Range : 1/2" to 4" Screwed / Flanged

Technical Specification

Mesh	40 (20 / 60 / 80 / 100 / 120 On Request)
Pressure	12 Kg/cm ²
Temperature	220 °C
Media	Air, Water, Oil, Gas & Steam
Ends	Screwed / Flanged

Sr. No.	Description	Material
1	Body	CF8 / CF8M / CF3M
2	Plug	CF8 / CF8M / CF3M
3	Body Seat	PTFE
4	Mesh	S. S. 304
5	Hex Bolt, Nut Washer	S. S. 304



Dimensions :

Valve Model	Size		L
	Inch	MM	
HKS - 15	1/2"	15	64
HKS - 20	3/4"	20	75
HKS - 25	1"	25	90
HKS - 32	1.1/4"	32	102
HKS - 40	1.1/2"	40	125
HKS - 50	2"	50	151.5
HKS - 65	2.1/2"	65	195.5
HKS - 80	3"	80	195
HKS - 100	4"	100	314

(All Dimensions are in mm)

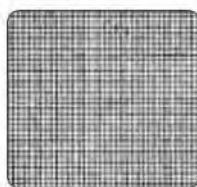
Dimensions :

Valve Model	Size		L1	Port	ØD	Øg	b	f	ØJ	N	PCD
	Inch	MM									
HKF - 15	1/2"	15	108	16	90	34.9	8	2	15.9	4	60.3
HKF - 20	3/4"	20	117.2	21	100	42.9	9	2	15.9	4	69.9
HKF - 25	1"	25	127	27	110	50.8	10.1	2	15.9	4	79.4
HKF - 32	1.1/4"	32	140	38	115	63.5	11.2	2	15.9	4	88.9
HKF - 40	1.1/2"	40	165	38	125	73	12.7	2	15.9	4	98.4
HKF - 50	2"	50	190	49	150	92.1	14.3	2	19.05	4	120.7
HKF - 65	2.1/2"	65	235	63	180	104.8	15.9	2	19.05	4	139.7
HKF - 80	3"	80	250	74	190	127	18.5	2	19.05	4	152.4
HKF - 100	4"	100	292	102	228.6	157.23	21.88	2	19.05	4	190.5

(All Dimensions are in mm)



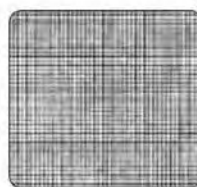
20 Mesh



40 Mesh



60 Mesh



80 Mesh



100 Mesh

Pub. on : May, 2019 (Rev-01)

Model : APP-1200-L

Liner Type Pneumatic - Pneumatic Valve Positioner

Input Signal	: 3~15psi (0.2-1.0 kgf/cm ²) (NOTE 1)
Supply Air Pressure	: 100 psi Max. (7.0 kgf/cm ²)
Standard Stroke	: 10~80mm (NOTE 2)
Air Piping Connection	: 1/4" NPT (F)
Ambient Temperature	: -20 °C to 70 °C
Pressure Gauge	: Stainless Steel
Explosion-proof Classification	: Exia II BT6, Exdm II BT6, Exdm II CT6
Degree of Protection	: IP66
Pressure Gauge	: Stainless Steel 0-2 kg/cm ² / 0-4 kg/cm ² / 0-10 kg/cm ²
Output Characteristics	: Linear
Linearity	: Within ± 1.0% F.S.
Sensitivity	: Within 0.2% F.S.
Hysteresis	: Within 0.2% F.S.
Repeatability	: Within ± 0.75% F.S.
Air Consumption	: 5.0 LPM (1.4 kg/cm ²) Supply
Flow Capacity	: 80 LPM (1.4 kg/cm ²) Supply
Material	: Alluminium Diecast Body
Weight	: 1.8 Kg. (Approx)



Model : AEP-1000-L

Liner Type Pneumatic - Pneumatic Valve Positioner

Input Signal	: 4~20 mA DC (NOTE 1)
Input Resistance	: 235 ±15
Supply Air Pressure	: 20 ~ 100psi (7.0 kg/cm ²)
Standard Stroke	: 10 ~ 80mm (NOTE 2)
Air Piping Connection	: 1/4" NPT (F)
Conduit Connection	: 1/2" NPT (F)
Explosion-proof Classification	: Exia II BT6, Exdm II BT6, Exdm II CT6
Degree of Protection	: IP66
Ambient Temperature	: -20 °C to 70 °C
Pressure Gauge	: Stainless Steel 0-2 kg/cm ² / 0-4 kg/cm ² / 0-10 kg/cm ²
Output Characteristics	: Linear / Rotary
Linearity	: Within ± 1.0% F.S.
Sensitivity	: Within 0.2% F.S.
Hysteresis	: Within 0.75% F.S.
Repeatability	: Within ± 0.5% F.S.
Air Consumption	: 5.0 LPM (1.4 kg/cm ²) Supply
Flow Capacity	: 80 LPM (1.4 kg/cm ²) Supply
Material	: Alluminium Die Cast Body
Weight	: 2.8 Kg. With a terminal box



3/2 Way Namur Direct Acting Solenoid Valve

Model	: NAM-SA-32
Coil Voltage	: All Std. Voltage Available
Frequency	: 50 - 60 Hz
Connection Type	: 1/4" (NPT)
Conduit	: PF 1/2"
Coil Insulation Grade	: Class "F"
Ambient Temp.	: -20 °C ~ 70 °C (-4 ~ 158 °F)
MOC	: Aluminium
Seals	: NBR (Viton On Request)
Working Pressure	: Upto 8 BAR



3/2 & 5/2 Way Convertible Poppet Type Single Namur Solenoid Valve

Model	: OTX - PPT - 32 / OTX - PPT - 52
Coil Voltage	: All Std. Voltage Available
Frequency	: 50 - 60 Hz
Connection Type	: 1/4" (NPT)
Conduit	: PF 1/2"
Coil Insulation Grade	: Class "F"
Ambient Temp.	: -20 °C ~ 70 °C (-4 ~ 158 °F)
MOC	: Aluminium
Seals	: NBR (Viton On Request)
Working Pressure	: Upto 8 BAR



3/2 & 5/2 Way Convertible Poppet Type Double Namur Solenoid Valve

Model	: 2OTX - PPT - 52
Coil Voltage	: All Std. Voltage Available
Frequency	: 50 - 60 Hz
Connection Type	: 1/4" (NPT)
Conduit	: PF 1/2"
Coil Insulation Grade	: Class "F"
Ambient Temp.	: -20 °C ~ 70 °C (-4 ~ 158 °F)
MOC	: Aluminium
Seals	: NBR (Viton On Request)
Working Pressure	: Upto 8 BAR



3/2 & 5/2 Way Convertible Spool Type Single / Double Namur Solenoid Valve

Model	: AMV-NAM-220
Coil Voltage	: 2AMV-NAM-220
Frequency	: All Std. Voltage Available
Connection Type	: 50 - 60 Hz
Conduit	: 1/4" (NPT)
Coil Insulation Grade	: PF 1/2"
Ambient Temp.	: -20 °C ~ 70 °C (-4 ~ 158 °F)
Body Material	: -20 °C ~ 50 °C (-4 ~ 122 °F)
Seals	: Aluminium
Working Pressure	: NBR (Viton On Request) / Upto 8 BAR



Filter + Regulator Air Combination

Model	: 4FQ / 8 FQ / FRJ
Air Connection	: 1/4"
Max. Supply Pressure	: 4FQ : 0.5 to 4 Kg/cm ² 8FQ : 0.5 to 8 Kg/cm ² 1 to 9 Kg/cm ²
Gauge Connection	: 1/8"
Ambient Temperature	: -20 °C ~ 120 °C (High Temp.) -40 °C ~ 120 °C (Low Temp.)
Mini Filtering Size	: 5 Micron
Material	: Aluminium Pressure Die Cast



AJ Series 3/2 Way Direct Acting Solenoid Valve (Normally Open & Closed)

Model	: AIDS-09-202
Size	: 1/4"
Body	: Aluminium Pressure Die Cast
Orifice	: 2
Pressure	: 7 Kg/cm ² / 10 Kg/cm ²
Temp.	: Upto 50 °C
Leakage	: Bubble Tight
Frequency	: 50 ~ 60 Hz
Coil Insulation Grade	: Class "F"
Media	: Air (Filtered & Lubricated)
Voltage	: All Std. Voltage Available





Installations

- Indian Oil
- Reliance Industries Limited
- ONGC
- Hindalco
- Godrej
- Indian Railway
- Vedanta
- Voltas
- NTPC
- Gujarat State Fertilizers & Chemical Ltd.
- L & T
- Gail
- Hindustan Petroleum
- BHEL
- IFFCO
- BARC
- Thermax
- Essar

Application

- Process & Chemical
- Refineries & Petrochemicals
- Drugs & Pharmaceuticals
- Thermal Power Stations
- Dyes & Intermediates
- Breweries & Distilleries
- Steel Plants
- Onshore & Offshore Platforms
- Steel Plants
- Solvent Extraction Plants
- Sewage
- Cooling Water
- Ship Yards & Marine Management
- LPG Bottling Plants
- Water Works
- Pulp & Paper
- Fertilizers
- Textiles
- Sugar
- Nuclear & Atomic Power Stations
- Paints & Varnishes
- Soaps & Detergents
- Slurry & Ash handling
- Food & Oil Industry
- Effluent & Water Treatment

This Product is Generally made to use on the High Pressure Piping System, It is Widely Applied for Major Industrial Sectors



Ship Yards & Marine Management
Thermal Power Station
Dyes & Intermediates

Chemical and Dyeing Fluids in Textile Processing

Solvent Extraction Plants

Nuclear & Atomic Power Stations

Marine Tankers- Ship Building

Off Shore Plants

Water Treatment – Purification

Military Application

Foundary

Pulp & Paper Plants

Food Plants

Steel & metal Plants

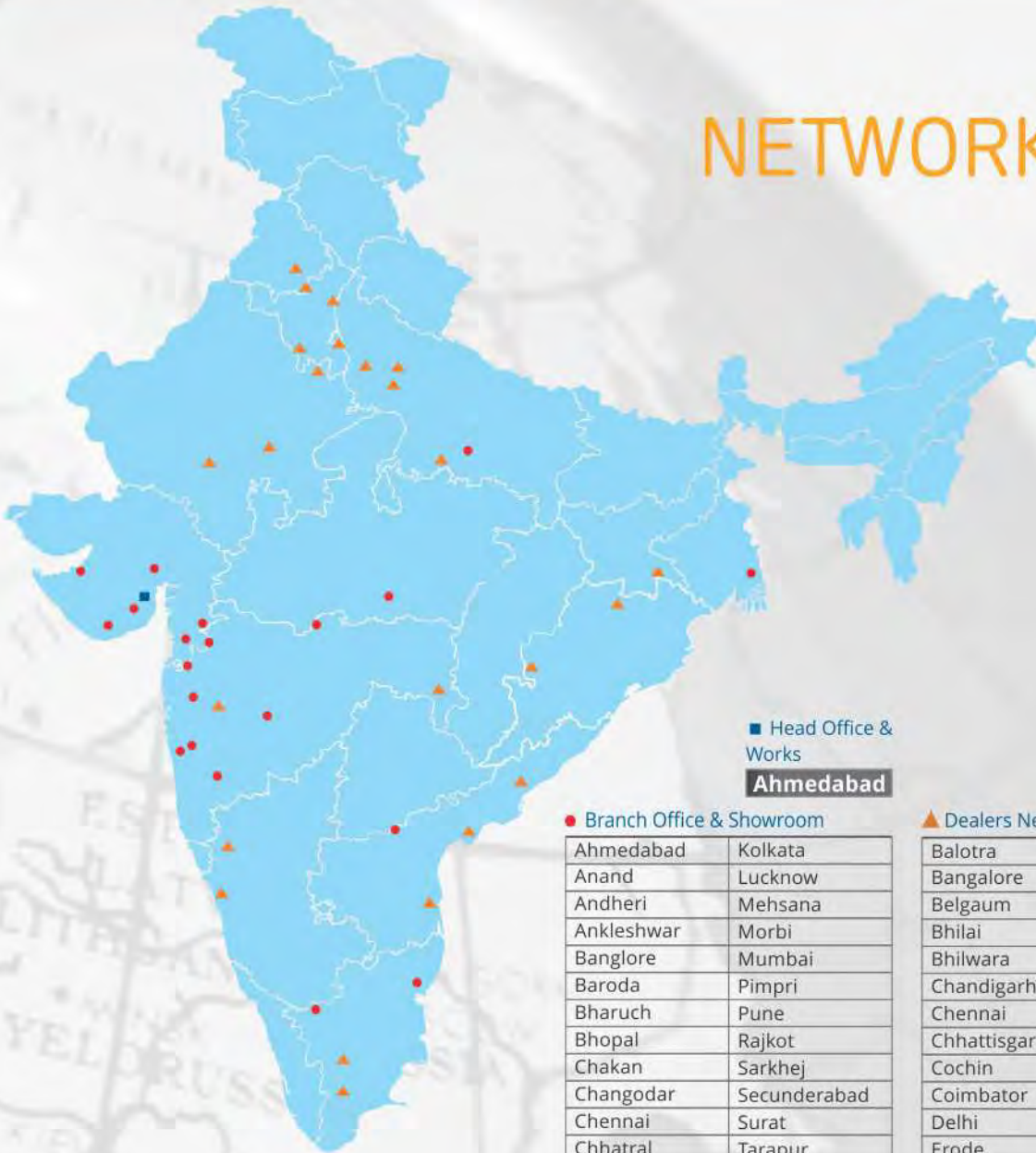
Process & Chemical

Tobacco Industries

Plants

TIME TESTED DESIGNS WITH
SUPERIOR PERFORMANCE

NETWORK



■ Head Office & Works

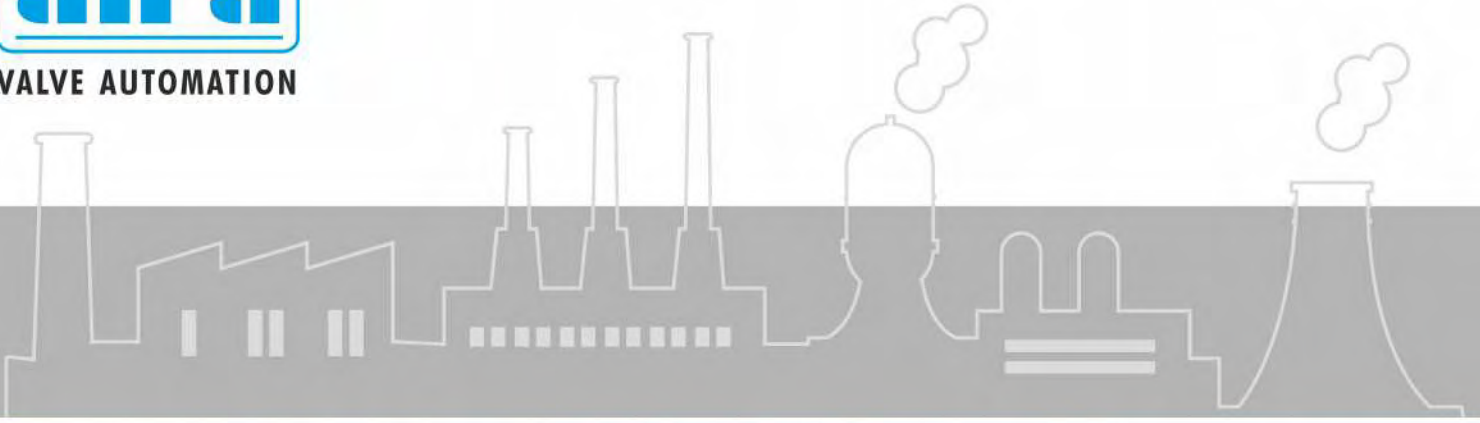
Ahmedabad

● Branch Office & Showroom

Ahmedabad	Kolkata
Anand	Lucknow
Andheri	Mehsana
Ankleshwar	Morbi
Banglore	Mumbai
Baroda	Pimpri
Bharuch	Pune
Bhopal	Rajkot
Chakan	Sarkhej
Changodar	Secunderabad
Chennai	Surat
Chhatral	Tarapur
Dahej	Thane
Faridabad	Vapi
Gandhidham	Vasai
Hyderabad	Vatva
Indore	
Kim	

▲ Dealers Network

Balotra	Kolkata
Bangalore	Karnal
Belgaum	Kolhapur
Bhilai	Lubhiana
Bhilwara	Mangalore
Chandigarh	Meerut
Chennai	Muzaffarnagar
Chhattisgarh	Nagpur
Cochin	Noida
Coimbatore	Pali
Delhi	Panipat
Erode	Rajamundry
Faridabad	Raipur
Gaziabad	Ranchi
Haryana	Panipet
Hyderabad	Pune
Indore	Ranipath
Jaipur	Rudrapur
Jalandher	Saharanpur
Jamshedpur	Secunderabad
Jodhpur	Tripur
Kanpur	Vishakhapatnam



Mfg. & Mkt by :
airaEuroautomation pvt. ltd.
INDIA

Available At :



www.airaindia.com / www.airaeuro.com

Pub. On. ACV_May_2019_5K